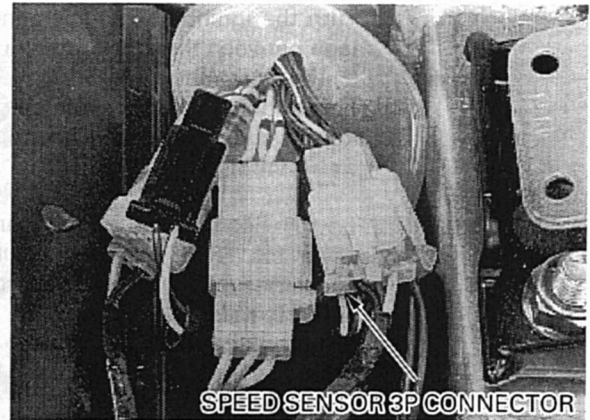


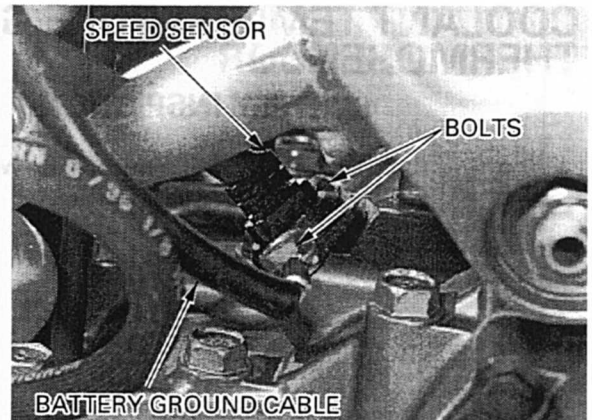
SPEED SENSOR REMOVAL/INSTALLATION

Remove the seat (page 2-2).

Disconnect the speed sensor 3P (white) connector.



Remove the two bolt, battery ground cable and speed sensor.

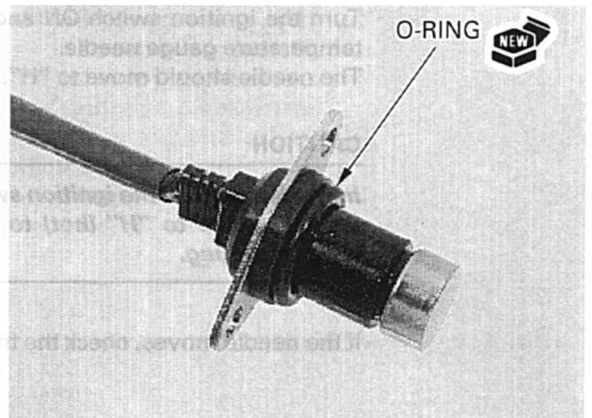


Coat a new O-ring with oil and install it onto the speed sensor.

Install the speed sensor in the reverse order of removal.

NOTE:

Route the speed sensor wire properly (page 1-18).



TACHOMETER

SYSTEM INSPECTION

Remove the three bolts and the instrument assembly from the stay (page 19-6).

Check the continuity between the green/black wire terminal and body ground. There should be continuity.

If there is no continuity, check for open circuit in the green/black wire.

