

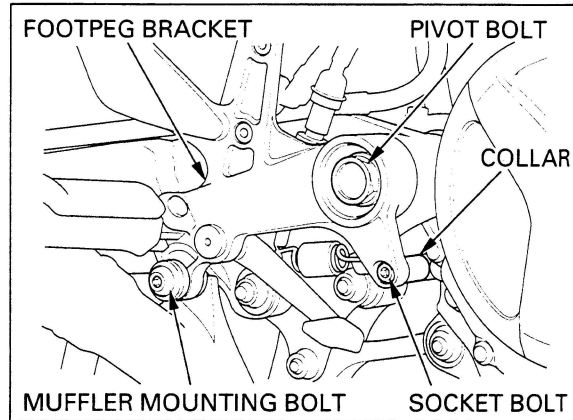
HYDRAULIC BRAKE

Install the right driver footpeg bracket, swingarm pivot bolt and nut.
Install the collar between the footpeg bracket and shock link bracket, and tighten the socket bolt.
Tighten the swingarm pivot nut.

TORQUE: 93 N·m (9.5 kgf·m , 69 lbf·ft)

Install the swingarm pivot caps.

Install the lower muffler mounting bolt with the washer and tighten it.



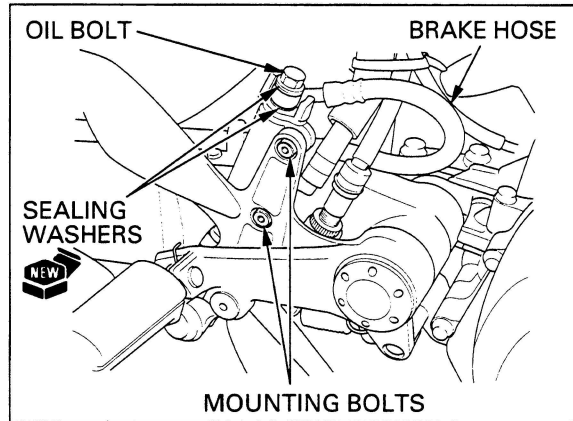
Tighten the master cylinder mounting bolts.

TORQUE: 10 N·m (1.0 kgf·m , 7 lbf·ft)

Connect the brake hose to the master cylinder with the oil bolt and new sealing washers, and tighten the oil bolt.

TORQUE: 34 N·m (3.5 kgf·m , 25 lbf·ft)

Fill and bleed the rear brake hydraulic system (page 15-3).



FRONT BRAKE CALIPER

CAUTION:

Avoid spilling fluid on painted, plastic or rubber parts. Place a rag over these parts whenever the system is serviced.

DISASSEMBLY

Drain the brake fluid from the front brake hydraulic system (page 15-3).

Disconnect the brake hose from the front brake caliper by removing the oil bolt and sealing washers. Remove the front brake pads (page 15-5).

Install a corrugated cardboard or soft wood sheet between the pistons.
Apply small squirts of air pressure to the fluid inlet to remove the pistons.

▲WARNING

Do not use high pressure air or bring the nozzle too close to the inlet.

