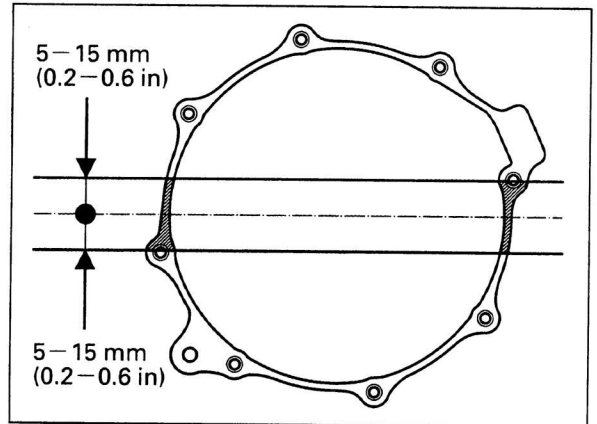
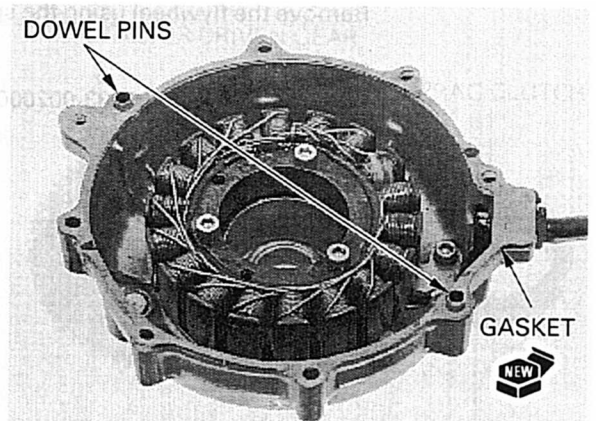


LEFT CRANKCASE COVER INSTALLATION

Apply sealant to the crankcase mating surfaces as shown.



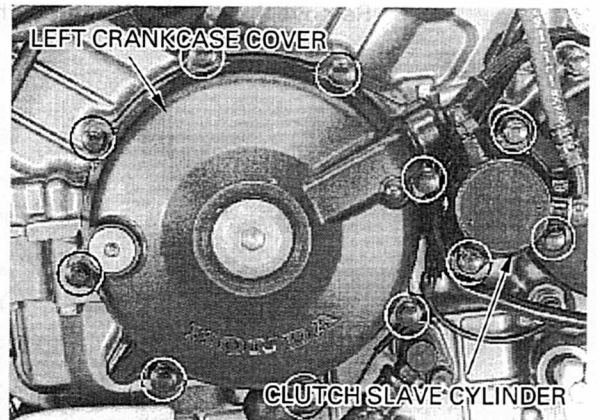
Install the dowel pins and a new gasket.



Remove the three bolts and clutch slave cylinder.

Install the left crankcase cover and tighten the eight bolts securely.

Reinstall the clutch slave cylinder and tighten the three bolts securely.



Route the alternator wire properly (page 1-21).

Connect the alternator 3P (white) connector.

Install the following:
— front fairing (page 2-3)
— seat (page 2-2)

Check the oil level and add recommended engine oil if necessary (page 3-10).

