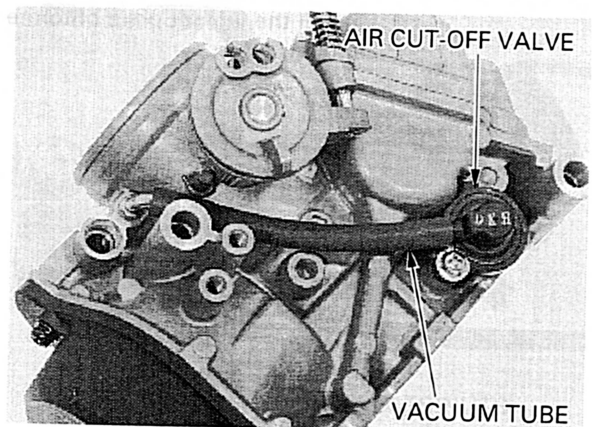
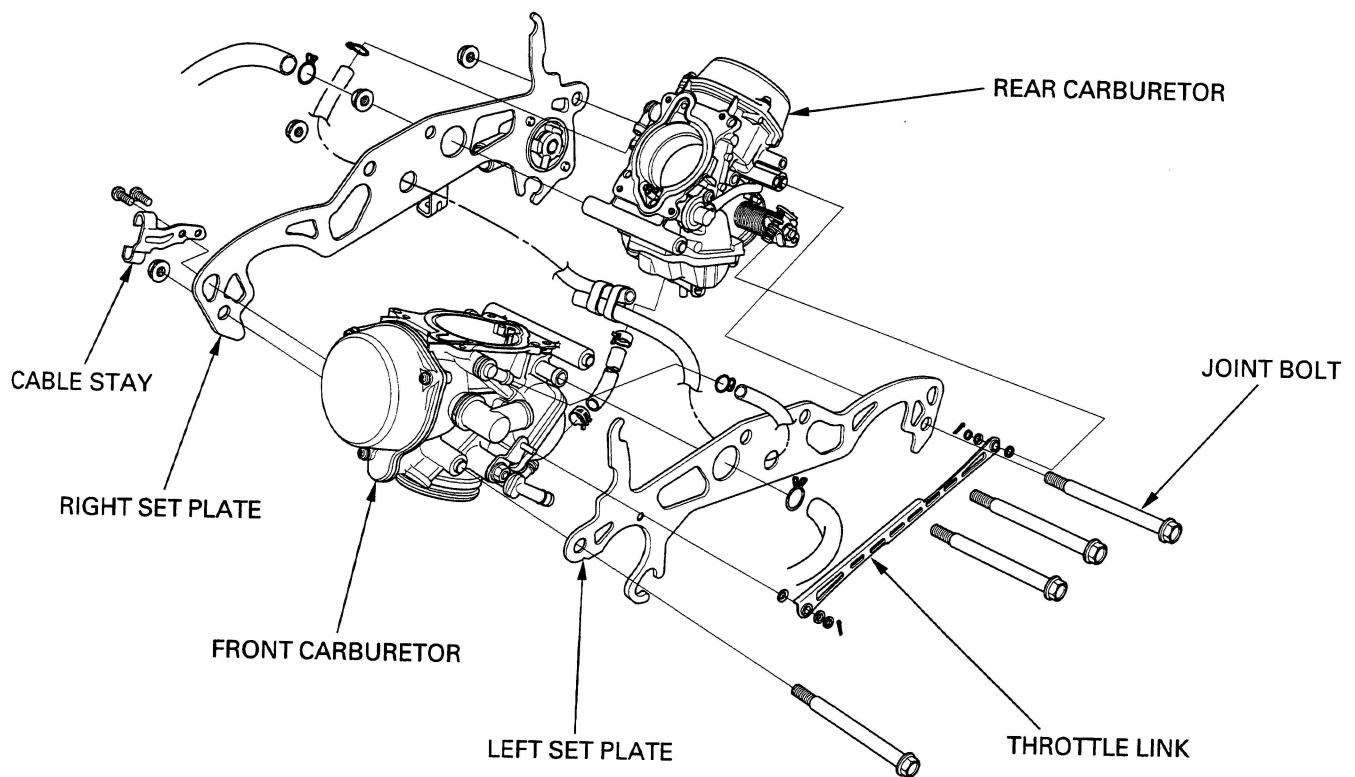


Install the air cut-off valve and secure it with the washer and screw.
Connect the vacuum tube to the vacuum pipe of the carburetor body.



CARBURETOR COMBINATION



NOTE:

Always replace the O-rings with new ones.

Install the following onto each carburetor:

- carburetor heater with new O-rings
- air vent joint with a new O-ring
- air joint with a new O-ring
- dowel pins

