

TURN SIGNAL RELAY

INSPECTION

Before performing the inspection, check the following:

- Battery condition
- Burned out bulb or non-specified wattage
- Burned fuse
- Ignition switch and turn signal switch function
- Loose connector

Remove the front center cover (page 3-4).

Disconnect the turn signal relay 3P connector from the relay.

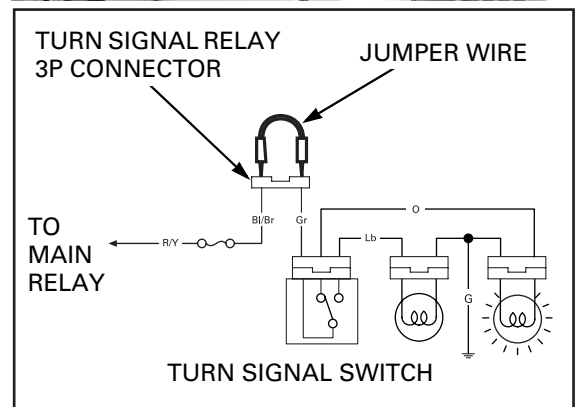
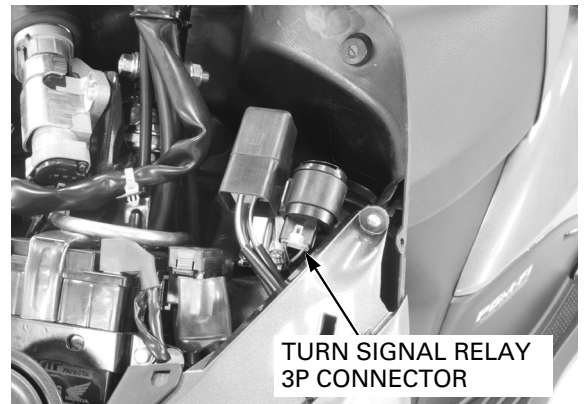
Short the turn signal relay 3P connector terminals of the wire harness side with a jumper wire.

CONNECTION: Black/Brown – Gray

Check the turn signal light by turning the switch ON.

If the light comes on, the turn signal relay is faulty or connector has poor connection.

If the light does not come on, the wire harness is broken.



MAIN RELAY

REMOVAL/INSTALLATION

Remove the front center cover (page 3-4).

Remove the main relay from the relay (Black) connector.

Installation is in the reverse order of removal.

