

HEADLIGHT

BULB REPLACEMENT

Remove the front handlebar cover (page 3-6).

Pull off the dust cover from the headlight unit.

Disconnect the headlight 3P connector.

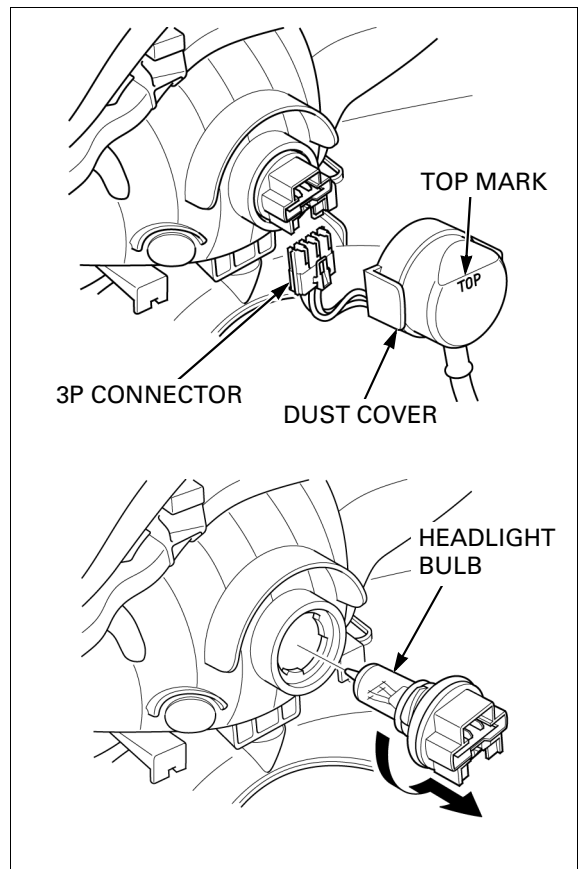
Release the headlight bulb by turning counterclockwise.

Install the headlight bulb to the headlight unit by turning clockwise.

Connect the headlight 3P connector.

Install the dust cover with its TOP mark facing up.

Install the front handlebar cover (page 3-6).



REMOVAL/INSTALLATION

Remove the front handlebar cover (page 3-6).

Remove the headlight aim adjusting bolt and wave washer.

Remove the set clips and headlight unit.

Installation is in the reverse order of removal.

Adjust the headlight aim (page 4-20).

