

STARTER MOTOR

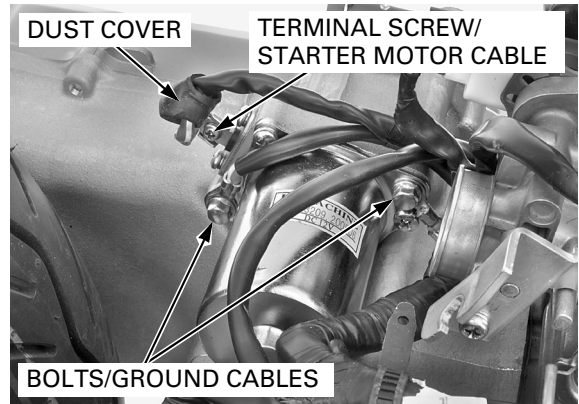
REMOVAL

Remove the air cleaner housing (page 6-40).

Pull off the dust cover.

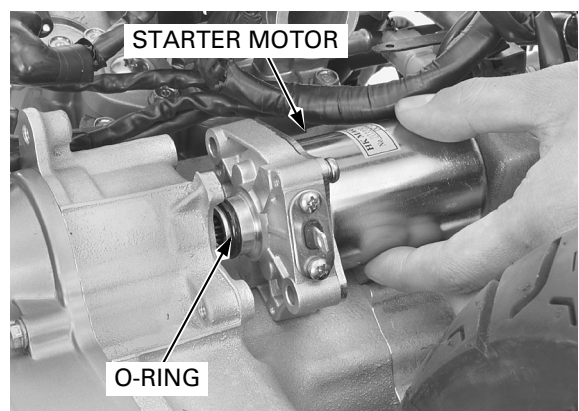
Remove the terminal screw and disconnect the starter motor cable.

Remove the mounting bolts and disconnect the ground cables.



Remove the starter motor from the left crankcase.

Remove the O-ring from the starter motor.



DISASSEMBLY

Remove the screws and starter motor case.

Remove the following:

- Armature
- Bracket
- Springs
- Gasket

