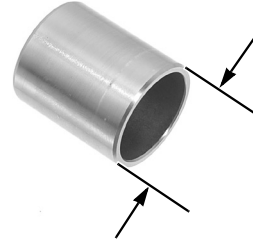


# BRAKE SYSTEM

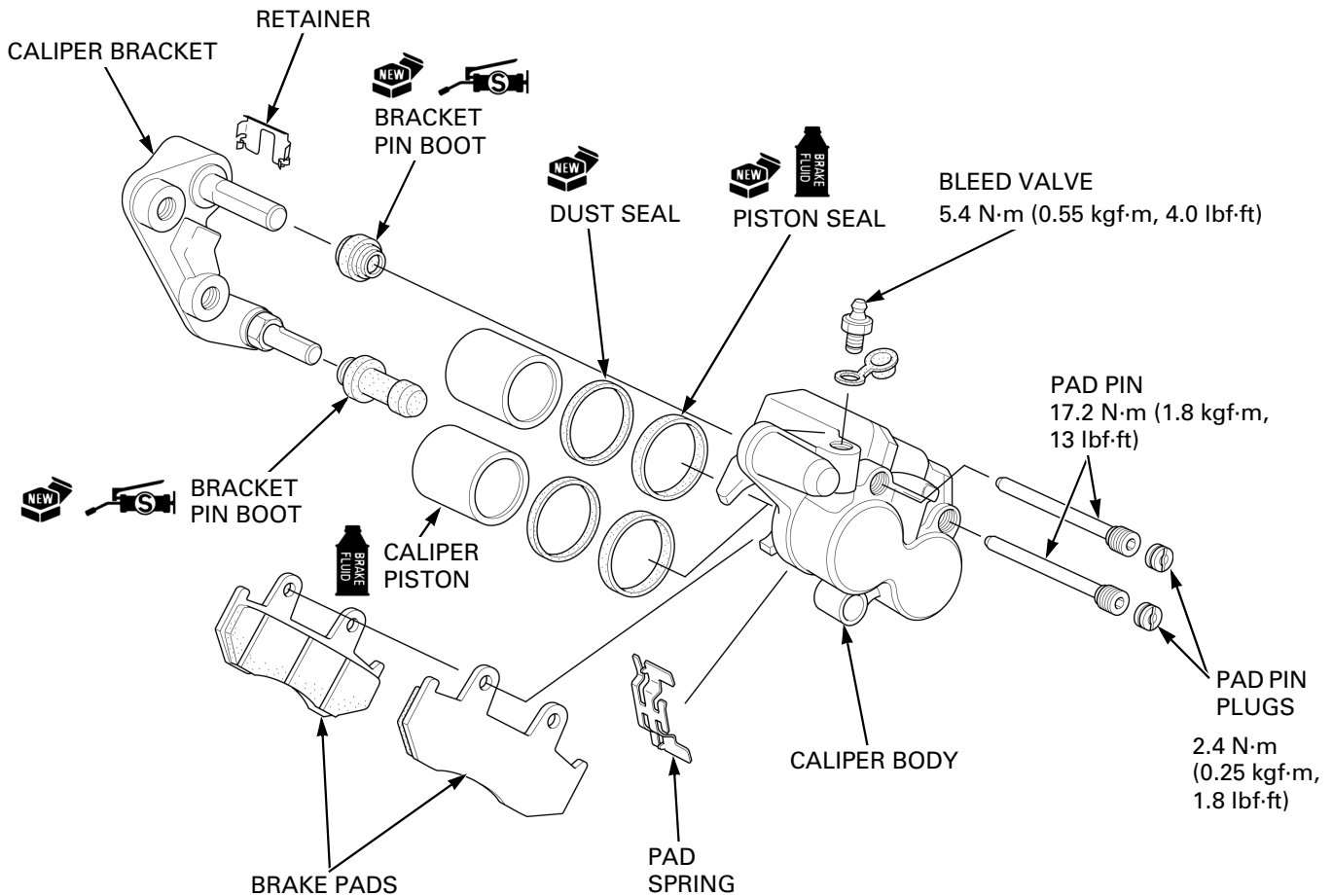
Check the caliper piston for scoring, scratches or damage.

Measure the caliper piston O.D.

**SERVICE LIMIT: 26.910 mm (1.0594 in)**



## ASSEMBLY



Coat new piston seals with DOT 3 or DOT 4 brake fluid.

Install the piston seals and dust seals into the seal grooves in the caliper cylinders.

Coat the caliper pistons with DOT 3 or DOT 4 brake fluid and install them into the caliper cylinders with the opening side facing the pad.

