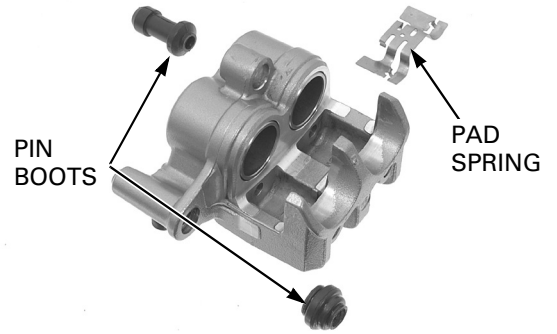


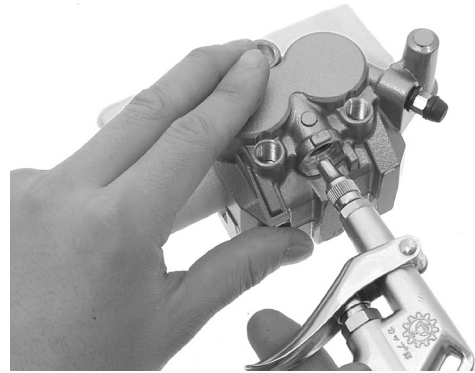
Remove the pin boots and pad spring from the brake caliper.



Place a shop towel over the piston.

Do not use high pressure air or bring the nozzle too close to the inlet.

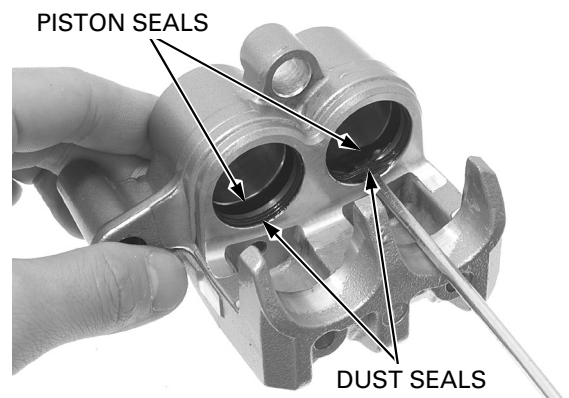
Position the caliper body with the piston down and apply small squirts of air pressure to the fluid inlet to remove the pistons.



Be careful not to damage the piston sliding surface.

Push the dust seals and piston seals in and lift them out.

Clean the seal grooves, caliper cylinder and piston with brake fluid.



INSPECTION

Check the caliper cylinder for scoring, scratches or damage.

Measure the caliper cylinder I.D.

SERVICE LIMIT: 27.060 mm (1.0654 in)

