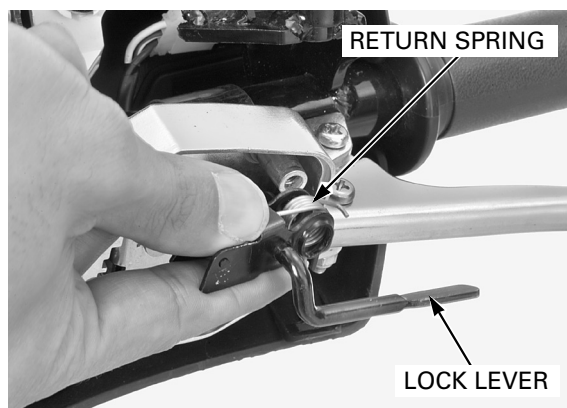
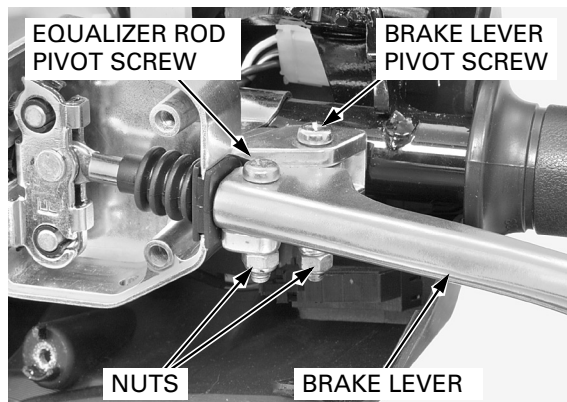


*Be careful when removing the lock lever. The return spring may pop out.*

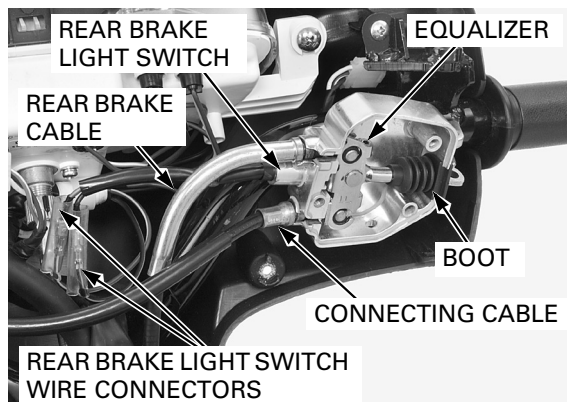
Remove the rear brake lock lever and the return spring.



Remove the equalizer rod pivot screw and nut. Remove the rear brake lever pivot screw, nut and brake lever.



Remove the boot from the rear brake lever bracket and equalizer rod. Disconnect the connecting cable and rear brake cable from the equalizer. Disconnect the wire connectors and remove the rear brake light switch.



Hold the rear brake lever bracket and remove the bolt, bracket holder and rear brake lever bracket.

