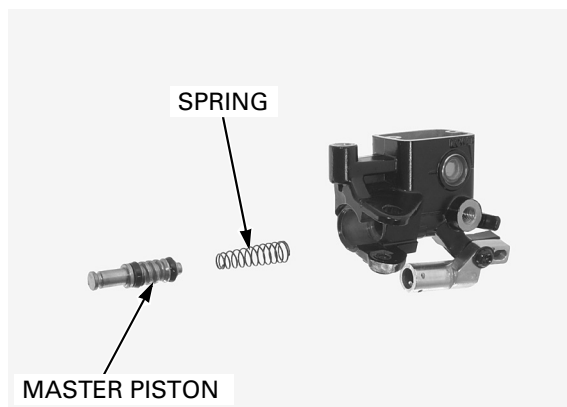


Remove the master piston and spring.



**INSPECTION**

Check the piston cups for wear, deterioration or damage.

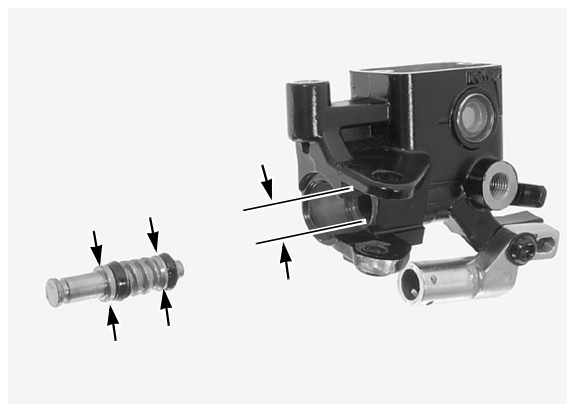
Check the master cylinder inner surface and piston outer surface for scratches or damage.

Measure the master cylinder I.D.

**SERVICE LIMIT: 12.755 mm (0.5022 in)**

Measure the master piston O.D.

**SERVICE LIMIT: 12.645 mm (0.4978 in)**



**ASSEMBLY**

