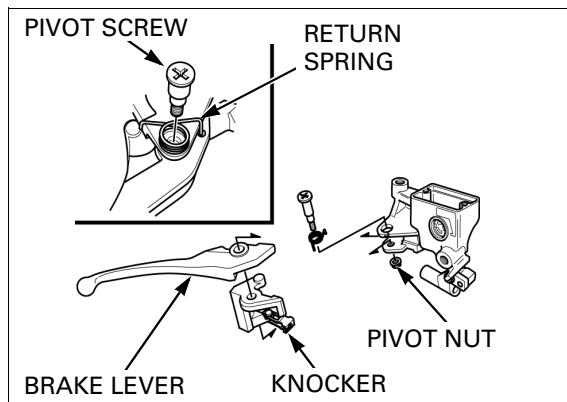


BRAKE SYSTEM

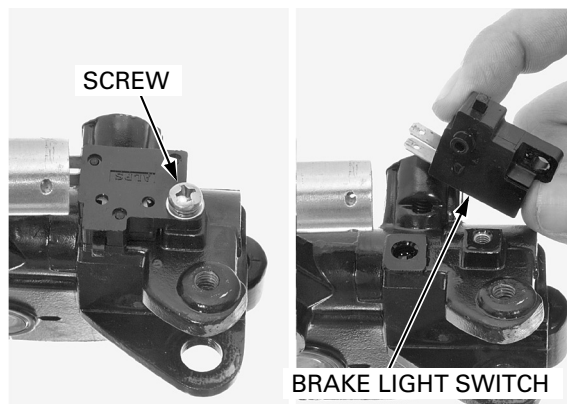
DISASSEMBLY

Remove the pivot nut.

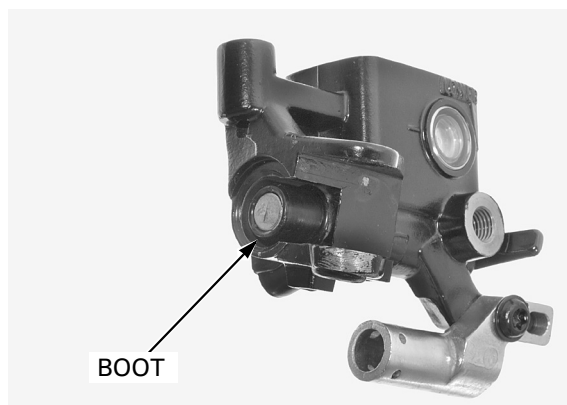
Remove the pivot screw, return spring, brake lever and knocker.



Remove the screw and brake light switch.



Remove the Boot.



Remove the snap ring from the groove of the master cylinder.

TOOL:

Snap ring pliers

07914-SA50001

