

## FRONT WHEEL/SUSPENSION/STEERING

Tighten the steering stem lock nut to the specified torque.

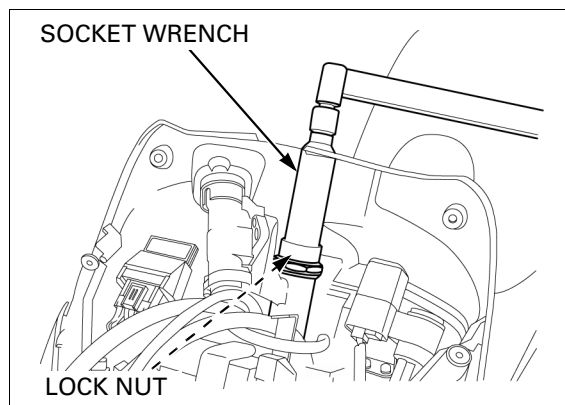
**TOOLS:**

**Socket wrench** **07916-KM10000**

**TORQUE: 68 N·m (6.9 kgf·m, 50 lbf·ft)**

Turn the steering stem lock-to-lock several times to seat the bearing.

Make sure the steering stem moves smoothly without play or binding.



Install the following:

- Fork (page 15-19)
- Front wheel (page 15-11)
- Handlebar (page 15-21)

Route the speedometer cable through the cable guide.

Set the brake hose clamp and tighten the bolt.

