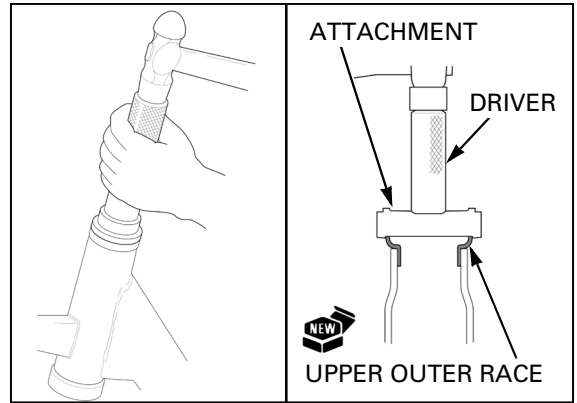


FRONT WHEEL/SUSPENSION/STEERING

Drive a new upper outer race into the head pipe using the following tools.

TOOLS:

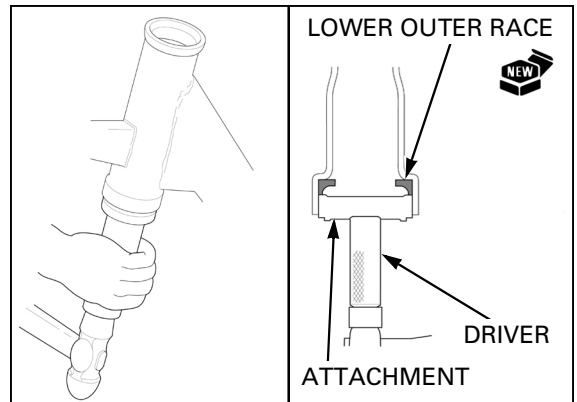
Driver 07749-0010000
Attachment, 44 x 49.5 mm 07945-3330300



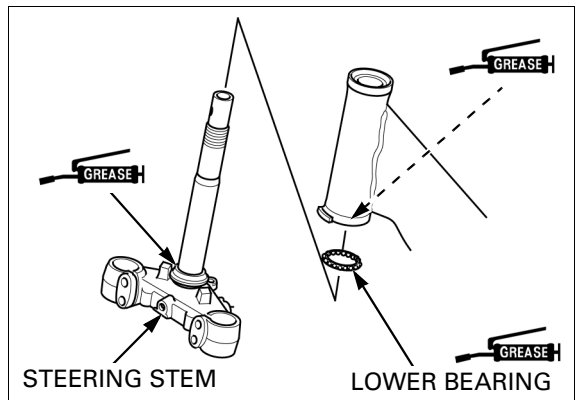
Drive a new lower outer race into the head pipe using the following tools.

TOOLS:

Driver 07749-0010000
Attachment, 44 x 49.5 mm 07945-3330300



Apply each 3 – 5 g of grease with extreme pressure agent (recommended: EXCELIGHT EP2 manufactured by KYODO YUSHI, japan or Shell ALVANIA EP2 or equivalent) to lower inner race, lower bearing and lower outer race.
 Install the lower bearing onto the steering stem.



Apply each 3 – 5 g of grease with extreme pressure agent (recommended: EXCELIGHT EP2 manufactured by KYODO YUSHI, japan or Shell ALVANIA EP2 or equivalent) to upper inner race, upper bearing and upper outer race.

Insert the steering stem into the steering head pipe.
 Install the upper bearing onto the stem.
 Install the upper adjusting nut/upper inner race onto the upper bearing.

