

FRONT WHEEL/SUSPENSION/STEERING

- Always replace the bearings and races as a set.

Install the adjustable remover head into the upper outer race.

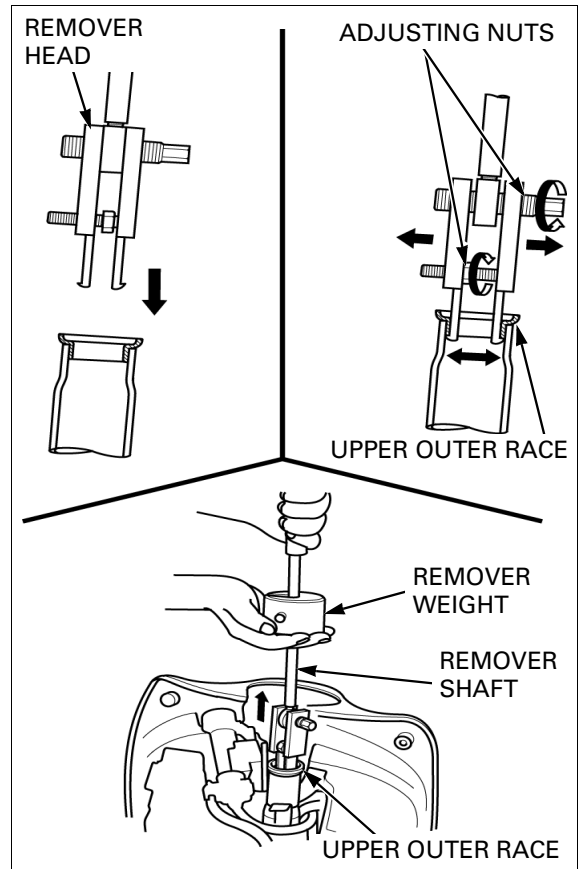
Hold the upper outer race with adjustable remover head hooks by turning its adjusting nuts, making sure it is installed correctly.

Remove the upper outer race from the steering stem pipe.

TOOLS:

Adjustable remover head
Adjustable remover shaft
Remover weight

07JAC-PH80100
07JAC-PH80200
07741-0010201

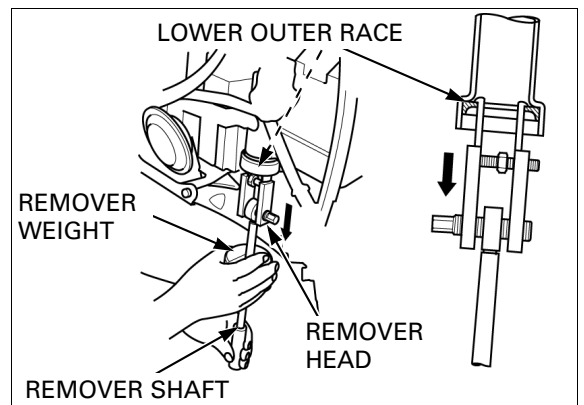


Remove the lower outer race using the following tools.

TOOLS:

Adjustable remover head
Adjustable remover shaft
Remover weight

07JAC-PH80100
07JAC-PH80200
07741-0010201



Remove the dust seal from the steering stem.

Remove the lower inner race with a chisel or equivalent tool being careful not to damage the stem.

Remove the washer from the steering stem.

