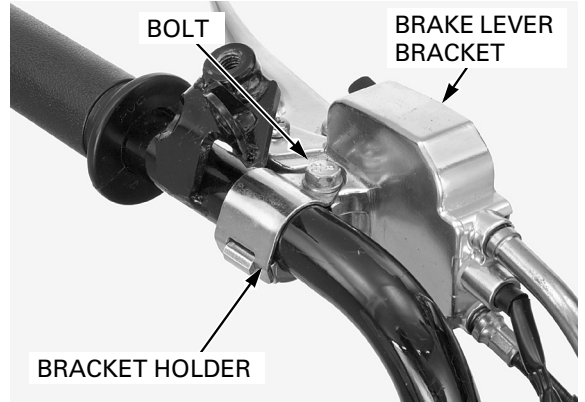


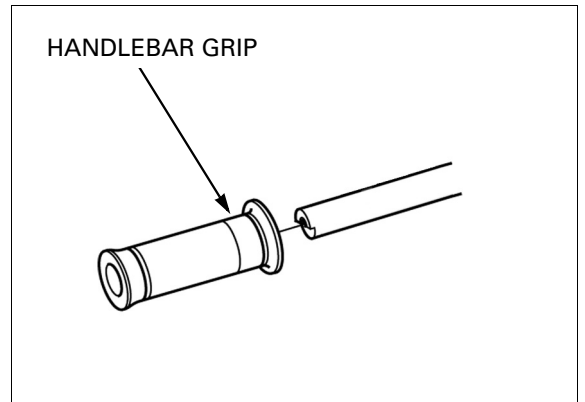
COMBINED BRAKE EQUALIZER

Hold the rear brake lever bracket and remove the holder bolt.
Remove the bracket holder and the brake lever bracket.



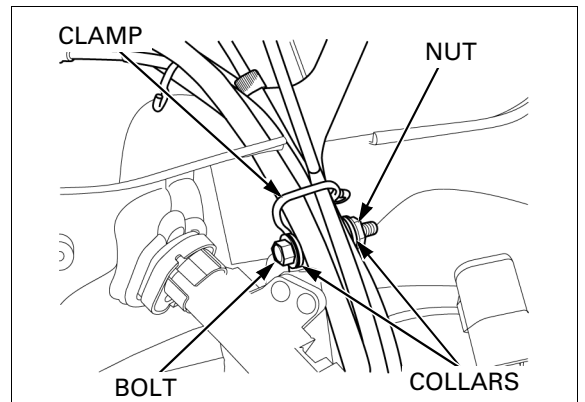
HANDLEBAR GRIP

Remove the handlebar grip.



HANDLEBAR POST

Release the cables from the handlebar post clamp.
Remove the handlebar post nut, bolt, collars and handlebar post from the steering stem.



INSTALLATION

HANDLEBAR POST

Install the handlebar post into the steering stem while aligning the tab of the handlebar post and groove of the steering stem.

