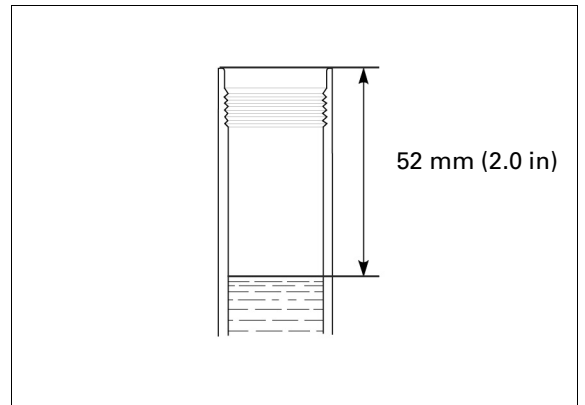


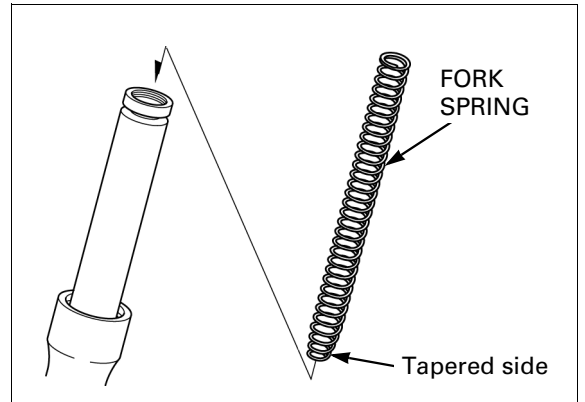
Be sure the oil level is same in the both forks.

Compress the fork pipe fully and measure the oil level from the top of the fork pipe.

FORK OIL LEVEL: 52 mm (2.0 in)



Pull the fork pipe up fully. Install the fork spring into the fork pipe with its tapered side facing down.



Coat a new O-ring with fork fluid and install it into the groove on the fork cap bolt.

Install the fork cap bolt, but tighten it after installing it to the steering stem.



INSTALLATION

Install the fork into the steering stem and align the groove on the fork pipe with the upper fork pinch bolt hole on the stem.

