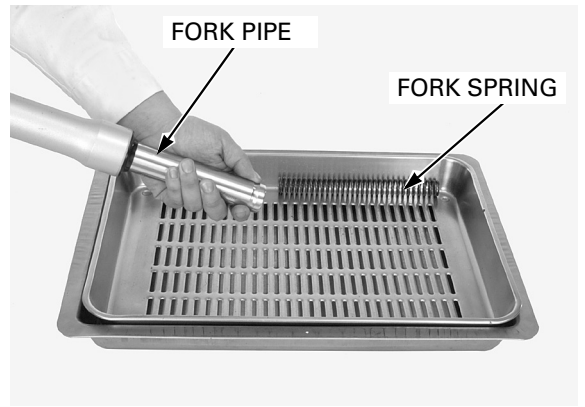
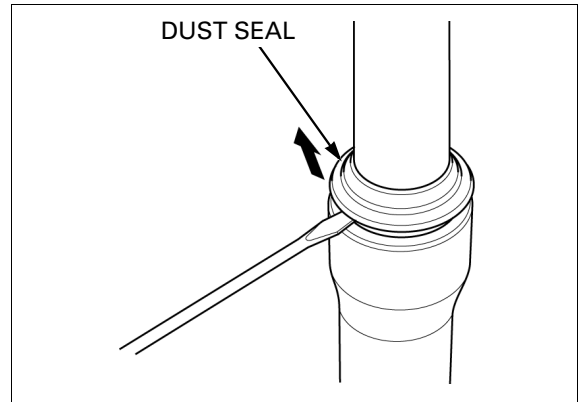


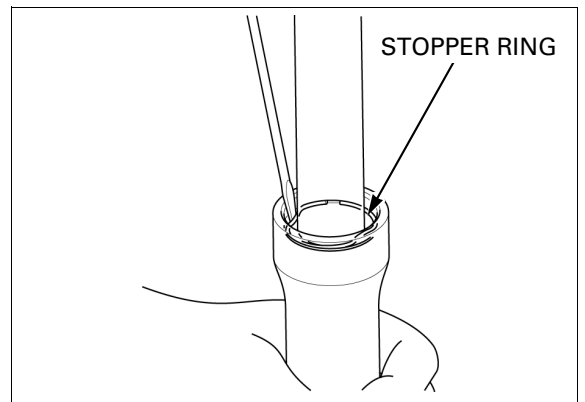
Remove the fork spring from the fork pipe.  
Pour out the fork fluid by pumping the fork pipe several times.



*Be careful not to scratch the fork slider.* Remove the dust seal from the fork slider.



*Be careful not to scratch the fork pipe.* Remove the oil seal stopper ring from the fork slider.



Remove the socket bolt and sealing washer.

