

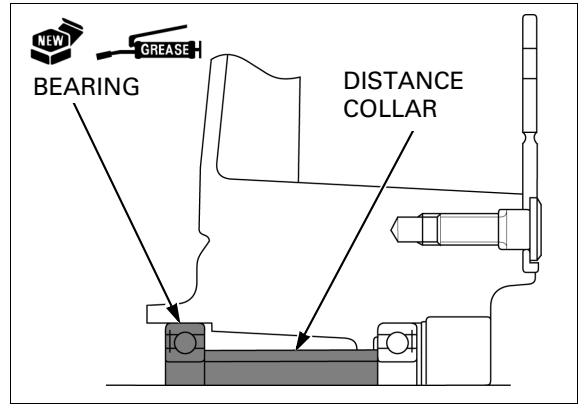
FRONT WHEEL/SUSPENSION/STEERING

Install it from right side of the wheel.

Drive a new right bearing squarely with its sealed side facing out until it is fully seated, using the special tools.

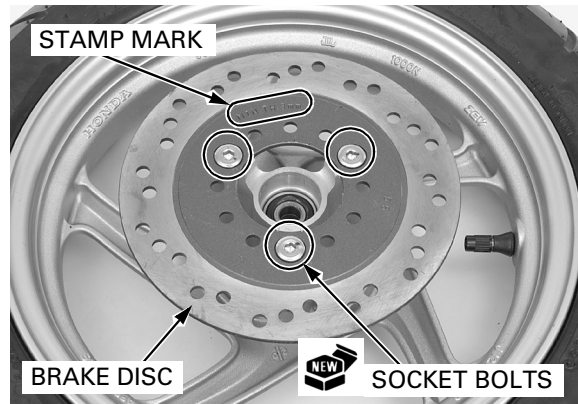
TOOLS:

Driver	07749-0010000
Attachment, 32 x 35 mm	07746-0010100
Pilot, 12 mm	07746-0040200



Install the brake disc on the left wheel hub with the stamp mark facing up. Install and tighten new socket bolts to the specified torque.

TORQUE: 42 N·m (4.3 kgf·m, 31 lbf·ft)



Install a new dust seal into the left wheel hub until it is flush with the wheel hub.

Apply grease to the dust seal lip.



Install a new dust seal/retainer into the right wheel hub until it is fully seated.

Apply grease to the dust seal outer surface.

