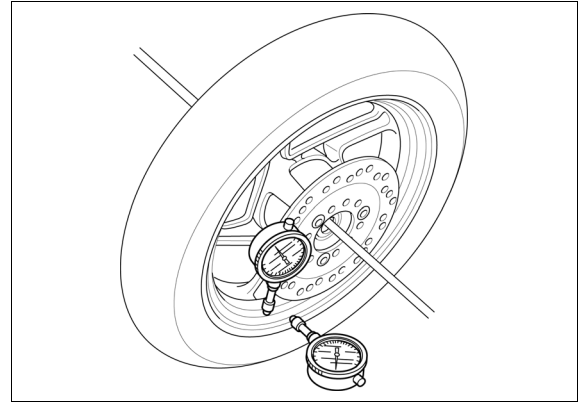


WHEEL RIM

Check the rim runout by placing the wheel in a turning stand.
Spin the wheel slowly and read the runout using a dial indicator.
Actual runout is 1/2 the total indicator reading.

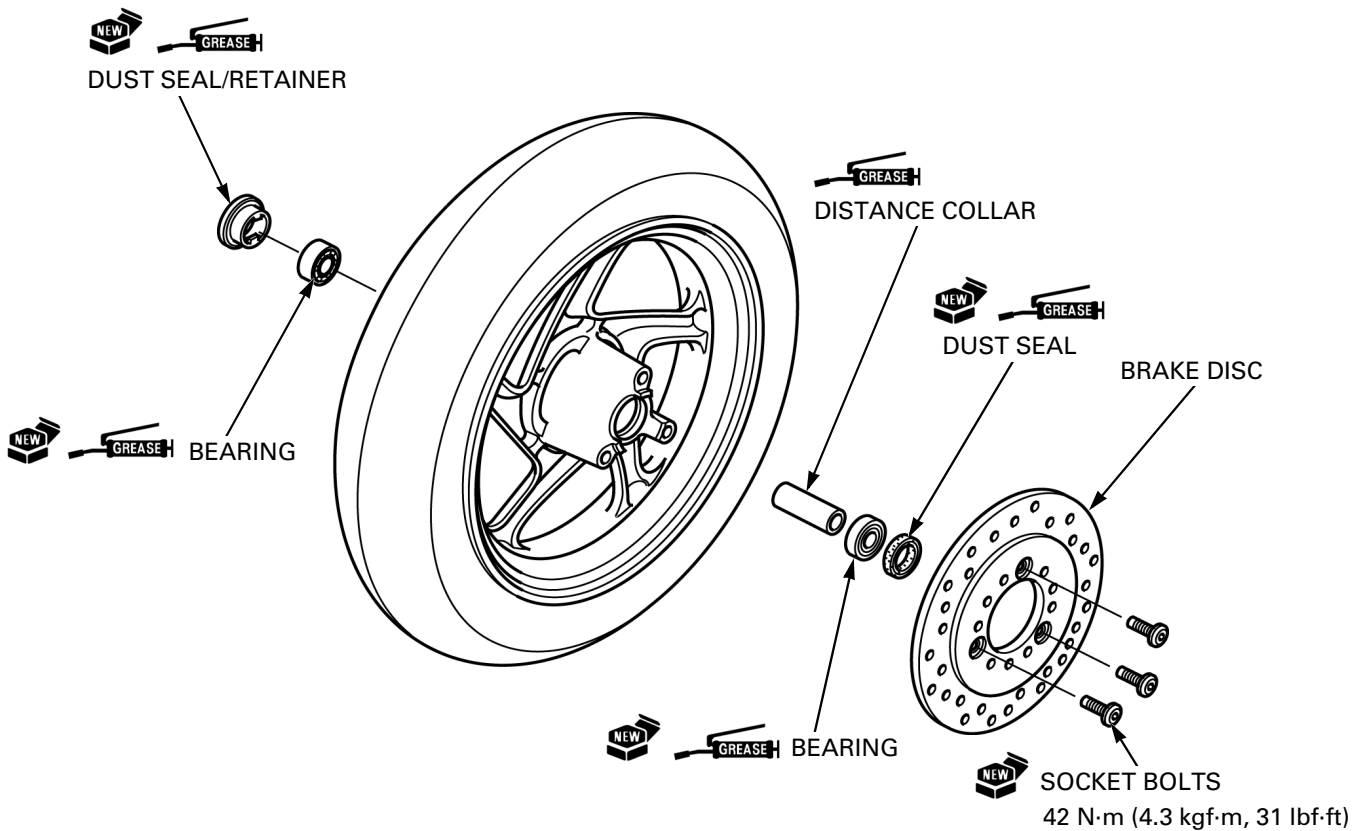


SERVICE LIMITS:

Radial: 2.0 mm (0.08 in)

Axial: 2.0 mm (0.08 in)

ASSEMBLY



Pack the bearing cavity with grease.

Do not reuse the old bearings.

Drive a new left bearing (brake disc side) squarely with its sealed side facing out until it is fully seated, using the special tools.

TOOLS:

Driver

Attachment, 32 x 35 mm

Pilot, 12 mm

07749-001000

07746-0010100

07746-0040200

