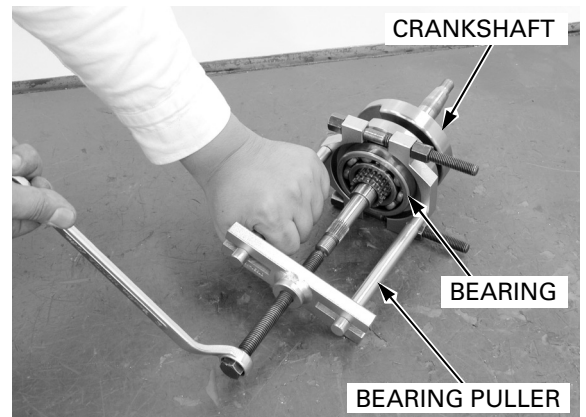


Remove the left crankshaft bearing using the special tool.

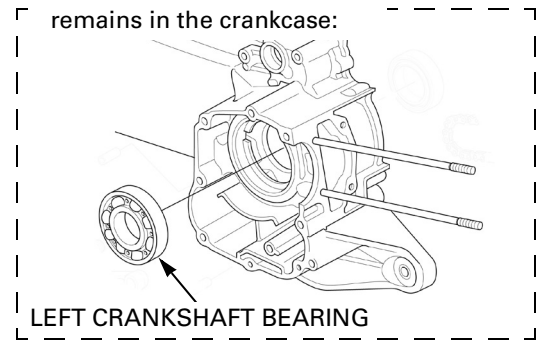
TOOL:

Universal bearing puller 07631-0010000

- If the left crankshaft bearing remains in the crankcase, remove it to the right side.



- If the left crankshaft bearing remains in the crankcase:



Remove the oil seal from the left crankcase.

