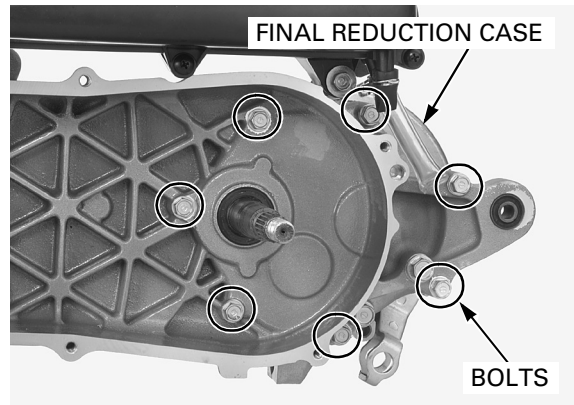


FINAL REDUCTION

Install the final reduction case and tighten the bolts in a crisscross pattern in two or three steps.



Connect the breather hose properly (page 1-17).

Connect the breather hose to the air cleaner housing.

Install the following:

- Rear brake shoes (page 17-25)
- Rear wheel (page 16-4)
- Clutch/driven pulley (page 11-13)

Fill the final reduction case with the recommended oil (page 4-15).

