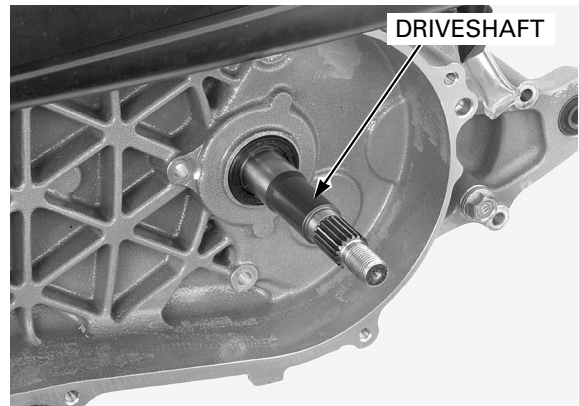


FINAL REDUCTION

GEAR/SHAFT

DRIVESHAFT

Check the driveshaft for bend, wear or damage.



COUNTERSHAFT/COUNTER GEAR/FINAL GEAR SHAFT

Check the countershaft, counter gear and final gear shaft for wear or damage.

