

DRIVE PULLEY/DRIVEN PULLEY/CLUTCH

Pack new ball bearing with grease.

Press the ball bearing into the driven face squarely with its marked side facing down until it is fully seated, using the special tools.

TOOLS:

Driver 07749-0010000
Pilot, 28 mm 07746-0041100

Install the snap ring into the groove in the driven face securely.

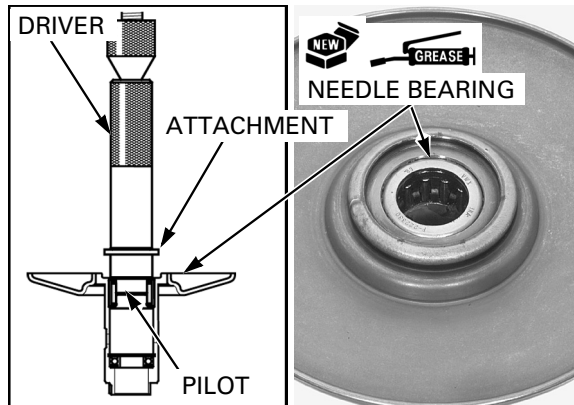
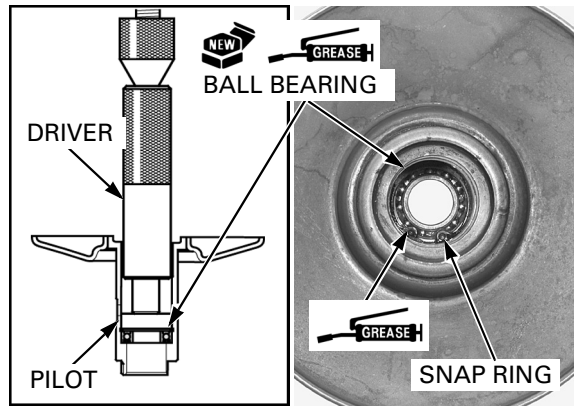
Apply 7 – 8 g of grease (Shell ALVANIA R3 or IDEMITSU AUTOREX B or SHIN-NIHON POWERNOC WB3 or equivalent) to the driven face inner surface.

Apply grease to a new needle bearing.

Press the needle bearing into the driven face squarely with its marked side facing up until it is flush with the driven face surface, using the special tools.

TOOLS:

Driver 07749-0010000
Attachment, 28 x 30 mm 07946-1870100
Pilot, 20 mm 07746-0040500



ASSEMBLY

