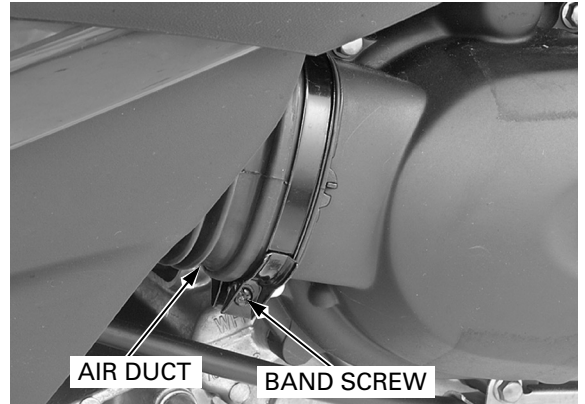


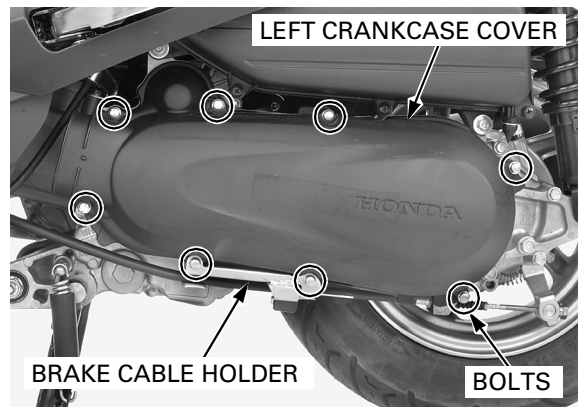
LEFT CRANKCASE COVER

REMOVAL

Loosen the band screw and disconnect the air duct from the left crankcase cover.

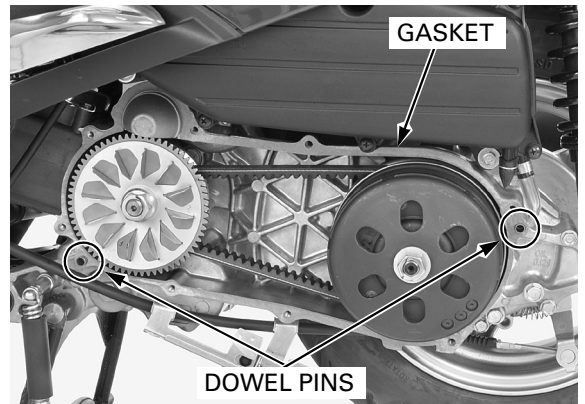


Remove the bolts, brake cable holder and left crankcase cover.



Remove the two dowel pins and cover gasket from the left crankcase.

Clean the gasket mating surface.



INSTALLATION

Install the two dowel pins
Install a new cover gasket.

