

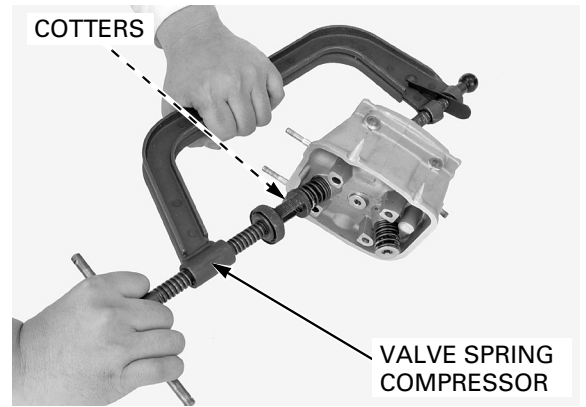
Install the valve spring retainer.

*To prevent loss of tension, do not compress the valve spring more than necessary.*

Install the valve spring cotters using the spring compressor.

**TOOL:**

**Valve spring compressor**      **07757-0010000**

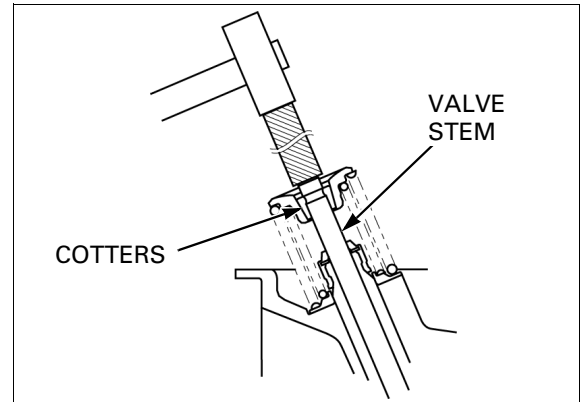


Support the cylinder head.

Tap the valve stems gently as shown to seat the cotters firmly.

Install the following:

- Spark plug (page 4-8)
- ECT sensor (page 6-52)
- O<sub>2</sub> sensor (page 6-55)

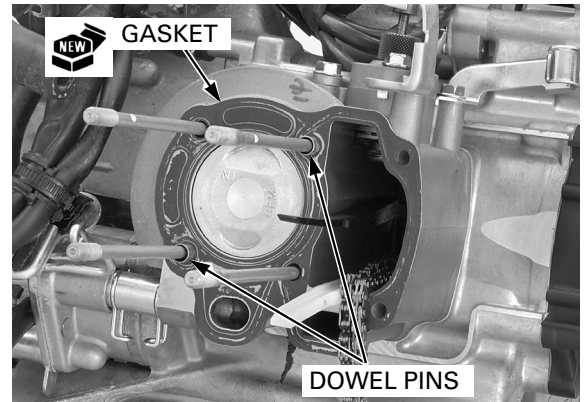


### CYLINDER HEAD/CAMSHAFT HOLDER INSTALLATION

Check the cylinder and crankcase mating area for oil leaks.

If leaking, remove the cylinder and replace the cylinder gasket with a new one (page 10-4).

Install the dowel pins and a new gasket onto the cylinder.



Route the cam chain through the cylinder head and install the cylinder head onto the cylinder.

Install the dowel pins.

