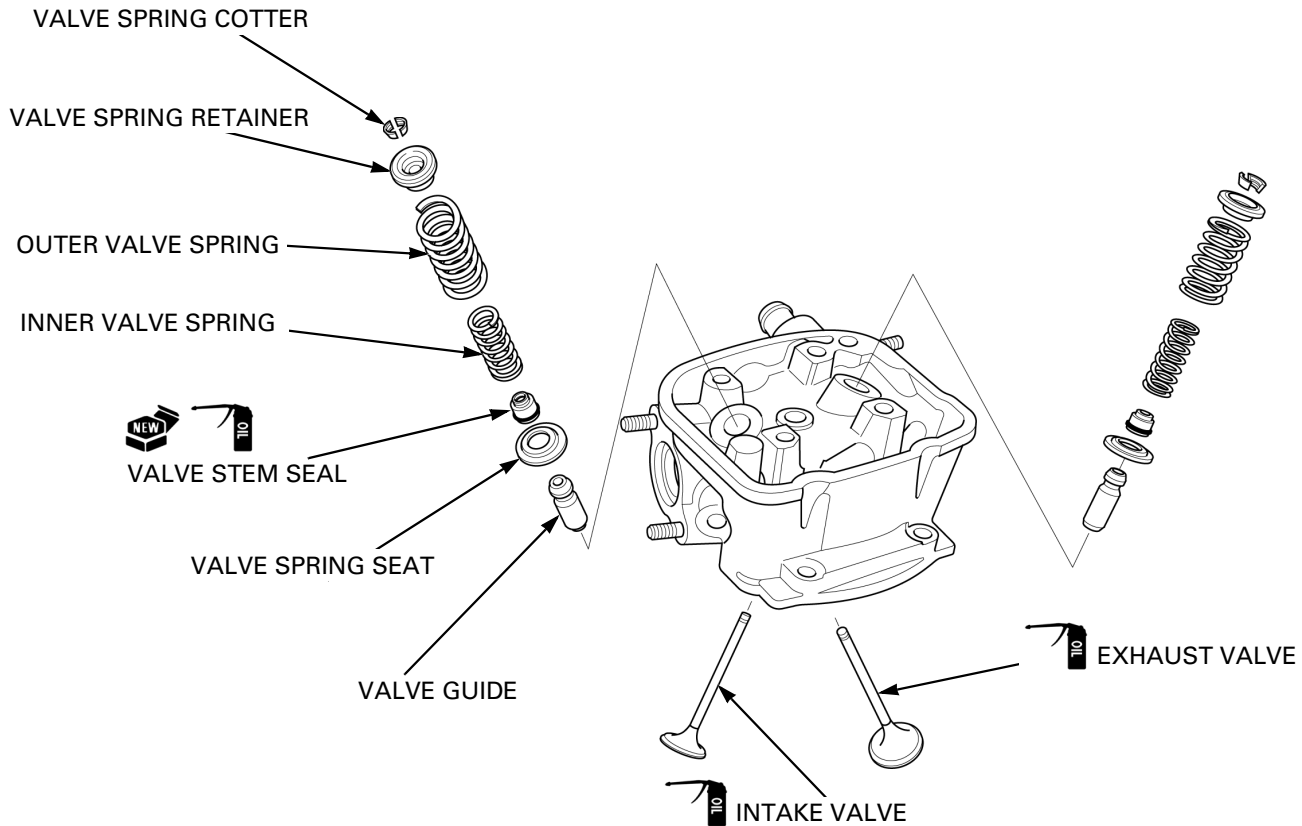


CYLINDER HEAD/VALVES

CYLINDER HEAD ASSEMBLY

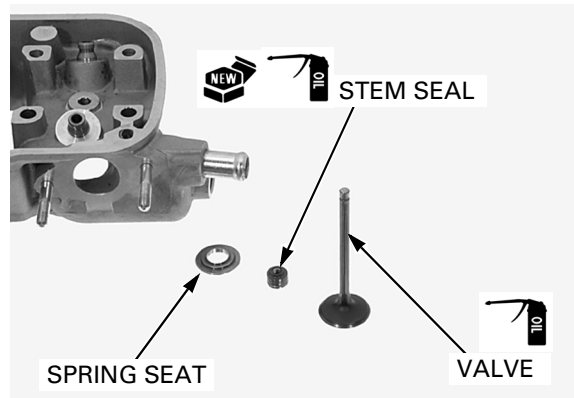


Blow through the oil passage in the cylinder head with compressed air.

Apply engine oil to the inner surface of new valve stem seals.

Install the valve spring seats and new valve stem seals.

Coat the valve stem sliding surface with engine oil. Insert the valves into the valve guide while turning it slowly to avoid damage to the valve stem seals.



Install the inner/outer valve springs with the tightly wound coils facing the combustion chamber.

