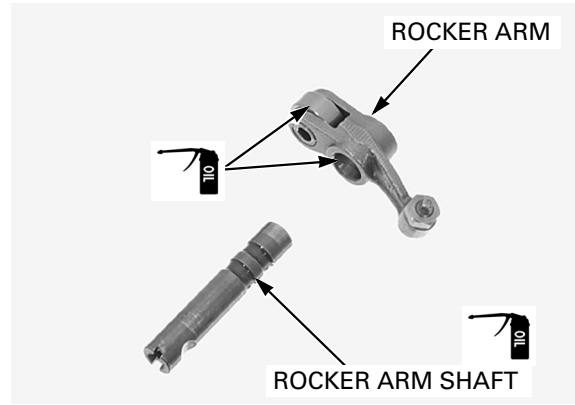


## CYLINDER HEAD/VALVES

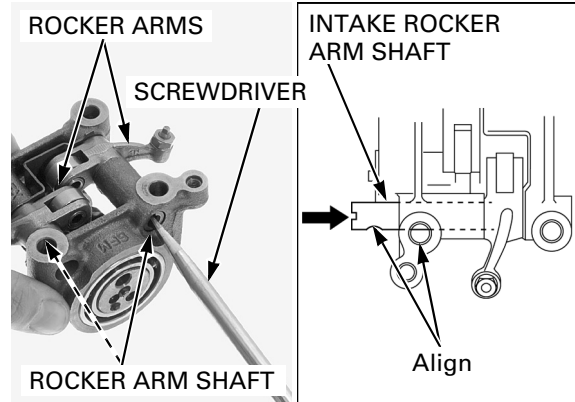
Apply engine oil to the sliding surface and roller surface of the rocker arm.

Apply engine oil to the sliding surface of the rocker arm shaft.



Install the rocker arms to the camshaft holder.

Install the exhaust rocker arm shaft into the camshaft holder while aligning the holes on the stopper plate and rocker arm until it is fully seated.



*Align the groove on the intake rocker arm shaft with the hole of the stud bolt by turning the rocker arm shaft with a screwdriver.*

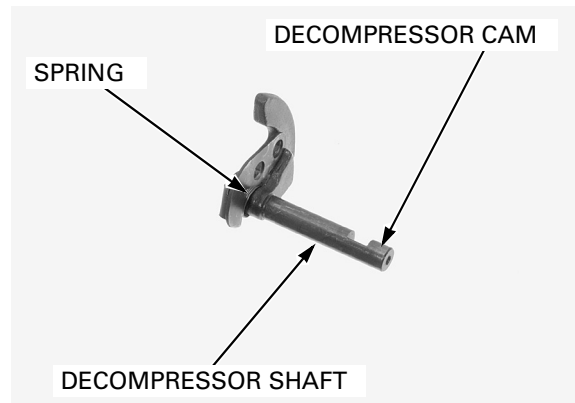
Install the intake rocker arm shaft into the camshaft holder using a screwdriver while aligning the holes on the stopper plate and rocker arm.

## DECOMPRESSOR SYSTEM INSPECTION

Check the shaft of the decompressor weight for bends or damage.

Check the decompressor weight cam area for wear or damage.

Check the decompressor spring for damage or fatigue.



Install the cam sprocket onto the camshaft by aligning the camshaft pins and cam sprocket holes.

Install the decompressor weight by inserting its shaft into the hole on the cam sprocket/camshaft.

Temporarily install the cam sprocket socket bolts.

