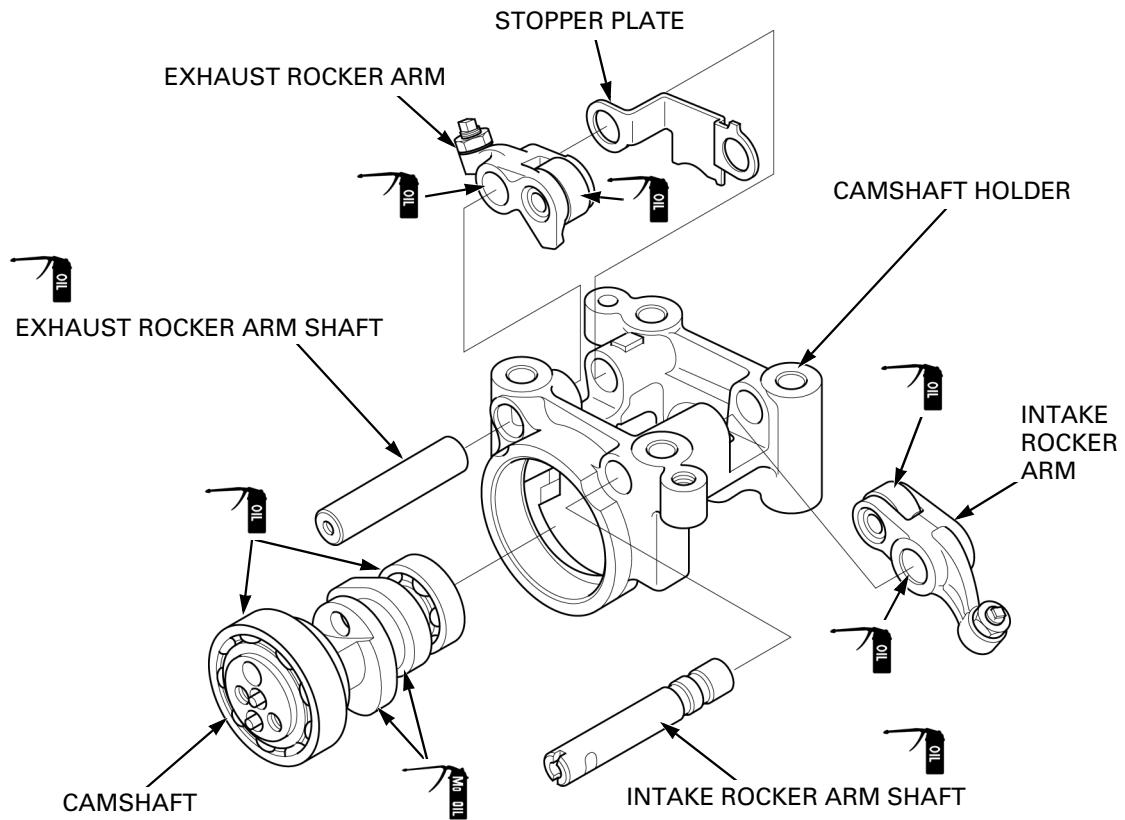
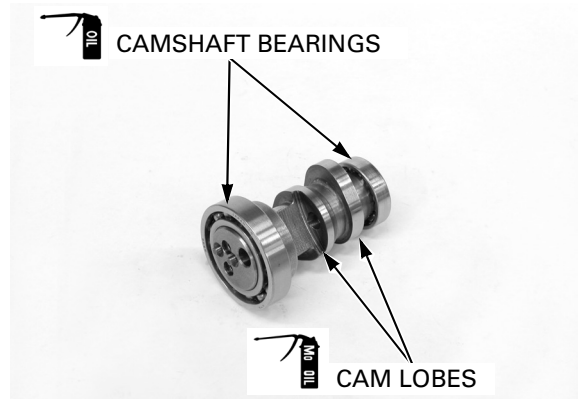


**CAMSHAFT HOLDER ASSEMBLY**



Apply engine oil to the camshaft bearings.  
Apply molybdenum oil solution to the cam lobes.



Install the camshaft into the camshaft holder.  
Set the stopper plate and hold the camshaft.

