

ENGINE REMOVAL/INSTALLATION

Set the engine to the frame by aligning the bolt holes of the engine and engine hanger link.

Support the engine with jack.

Insert the engine hanger link pivot bolt (engine side) from the right side.

Install and tighten pivot nut to the specified torque.

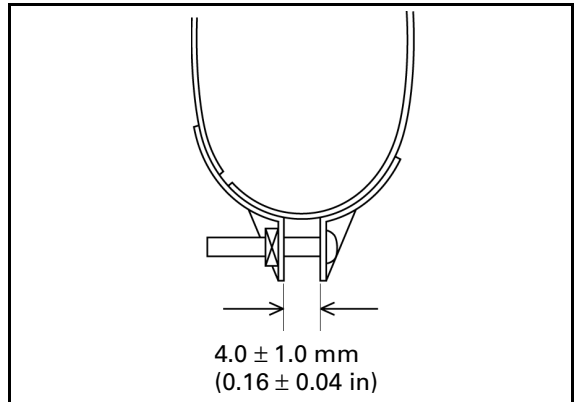
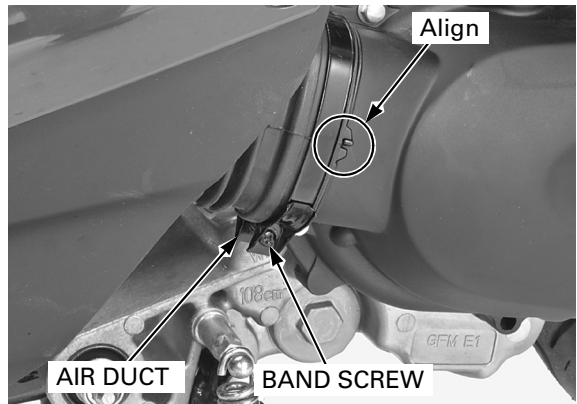
TORQUE: 49 N·m (5.0 kgf·m, 36 lbf·ft)



Connect the air duct to the left crankcase cover by aligning the air duct cut-off with the left crankcase cover tab.

Tighten the band screw.

- Tighten the air duct band screw until the clearance between the screw and band end is 4.0 ± 1.0 mm (0.16 ± 0.04 in)



Slightly lift the rear wheel to align the bolt holes and tighten the rear shock absorber lower mounting bolt.

