

COOLING SYSTEM

Install the following:

- Stator base/water pump (page 7-19)
- Stator/ignition pulse generator and flywheel (page 13-5)

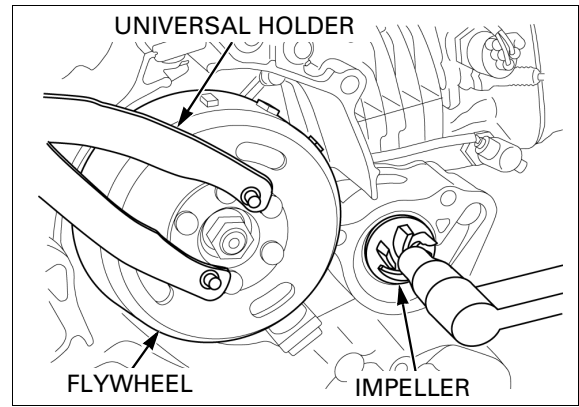
Hold the flywheel with the special tool and tighten the water pump impeller to the specified torque.

TOOL:

Universal holder **07725-003000**

TORQUE: 10 N.m (1.0 kgf.m, 7 lbf.ft)

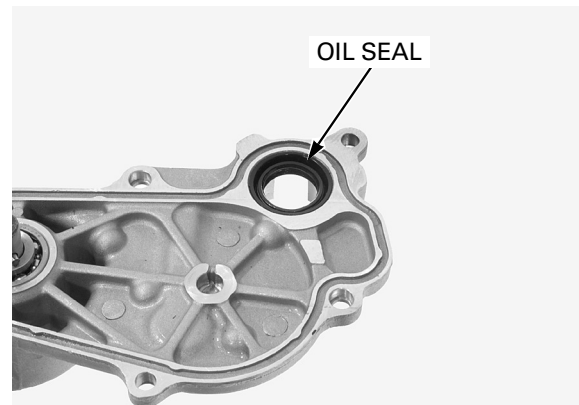
Install the water pump cover (page 7-21).



CRANKSHAFT OIL SEAL REPLACEMENT

Remove the stator base/water pump (page 7-15).

Remove the crankshaft oil seal from the stator base.



Apply engine oil to a new crankshaft oil seal lips.

Drive a new crankshaft oil seal with its marked side facing the flywheel until it is flush with the stator base.

TOOLS:

Driver **07749-0010000**

Attachment, 32 x 35 mm **07746-0010100**

Install the stator base/water pump (page 7-19).

