

## COOLING SYSTEM

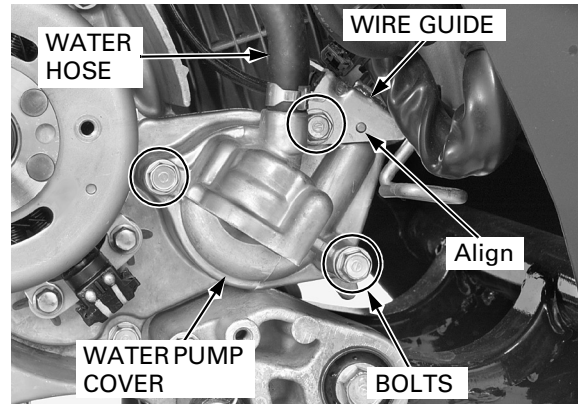
Install the water pump cover.  
Install the wire guide by aligning the pump cover pin with the wire guide hole.  
Tighten the bolts.

Connect the water hose to the water pump cover.

Install the following:

- Thermostat (page 7-14)
- Cooling fan (page 7-12)
- Radiator (page 7-10)

Fill the engine with recommended oil (page 4-10).  
Fill and bleed the cooling system (page 7-8).



## MECHANICAL SEAL/OIL SEAL REPLACEMENT

Remove the water pump cover (page 7-15)

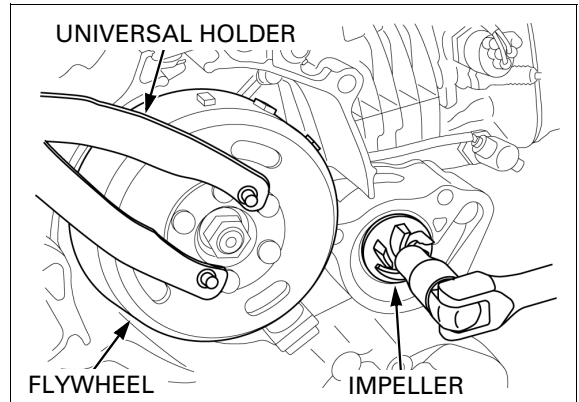
Hold the flywheel with the special tool and loosen the water pump impeller.

### TOOL:

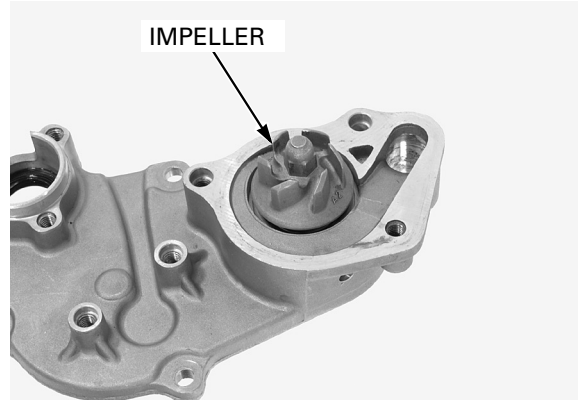
**Universal holder**                      **07725-0030000**

Remove the following:

- Stator and ignition pulse generator (page 13-4)
- Stator base/water pump (page 7-15)



Remove the water pump impeller.



*Be sure to use the hydraulic press. Do not use a hammer.*

*Be careful not to damage the stator base/water pump mating surface.*

Remove the water pump shaft from the stator base/water pump using a hydraulic press.

