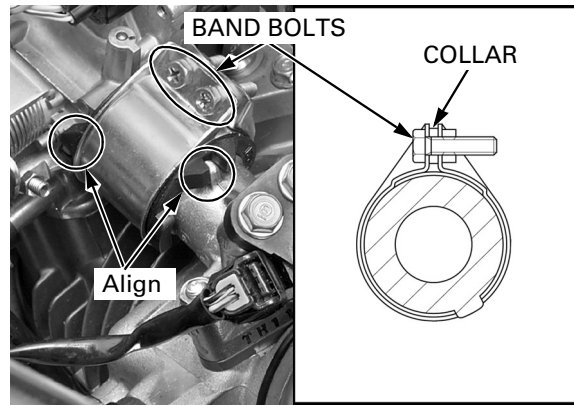


## FUEL SYSTEM (Programmed Fuel Injection)

Align the throttle body tab, intake pipe tab and insulator band grooves.

Tighten the insulator band bolts until the band seats on the collar as shown.

Install the injector (page 6-49).



### STUD BOLT REPLACEMENT

Remove the intake pipe (page 6-56).

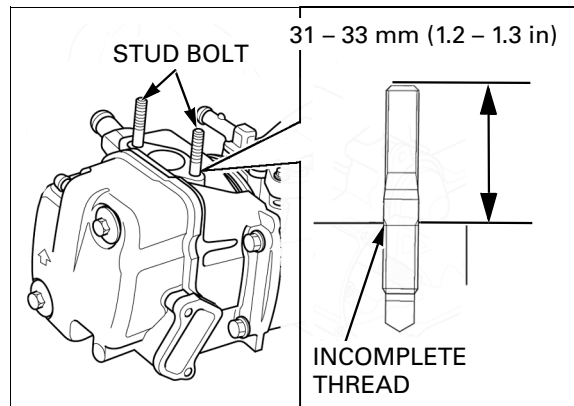
Thread two nuts onto the stud and tighten them together, and use wrench on them to turn the stud bolt out.

Install new stud bolts into the cylinder head and tighten them until incomplete thread embed.

After installation, check that the length from the bolt head to the cylinder head surface is within specification.

**SPECIFIED LENGTH: 31 – 33 mm (1.2 – 1.3 in)**

Install the intake pipe (page 6-57).



## PCV SYSTEM

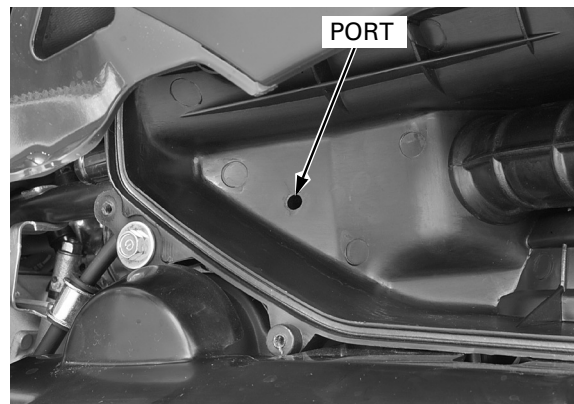
### SYSTEM INSPECTION

Support the scooter with its centerstand.  
Warm up the engine about ten minutes.  
Stop the engine.

Remove the air cleaner element (page 4-6).

Check that the hose joint of air cleaner is clean and free of carbon deposits.

If the port is carbon fouled, check the PCV check valve (page 6-60).



### PCV SOLENOID VALVE

#### REMOVAL/INSTALLATION

Remove the luggage box (page 3-8).

Disconnect the crankcase breather hoses from the solenoid valve.

Pull off the dust cover from the connector and disconnect the PCV solenoid valve 2P connector.

