

FUEL SYSTEM (Programmed Fuel Injection)

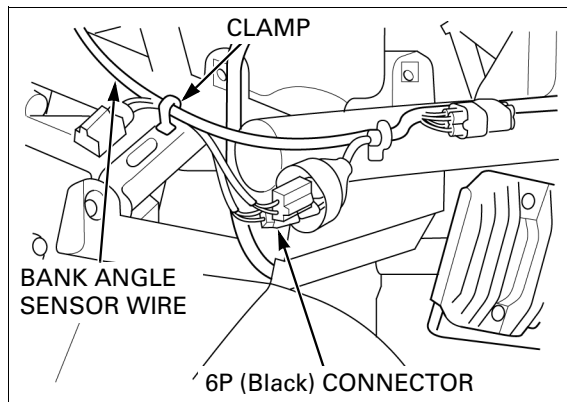
BANK ANGLE SENSOR

REMOVAL

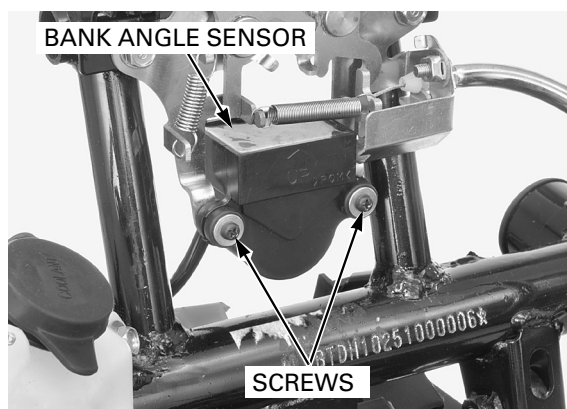
Turn the ignition switch OFF.

Remove the body cover (page 3-9).

Disconnect the bank angle sensor 6P (Black) connector and release the bank angle sensor wire from the clamp.

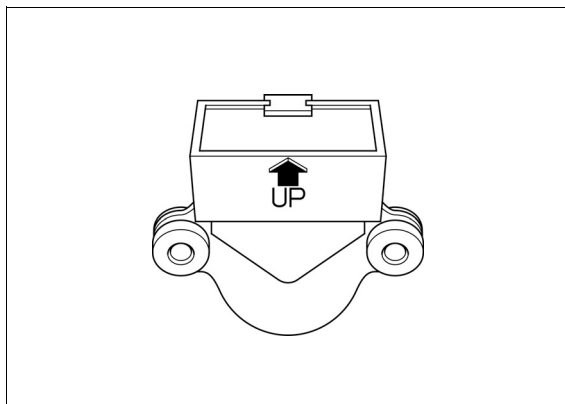


Remove the two screws and bank angle sensor.



INSTALLATION

Install the bank angle sensor with its "UP" mark facing up.



Install and tighten the two screws to the specified torque.

TORQUE: 1.2 N·m (0.1 kgf·m, 0.9 lbf·ft)

