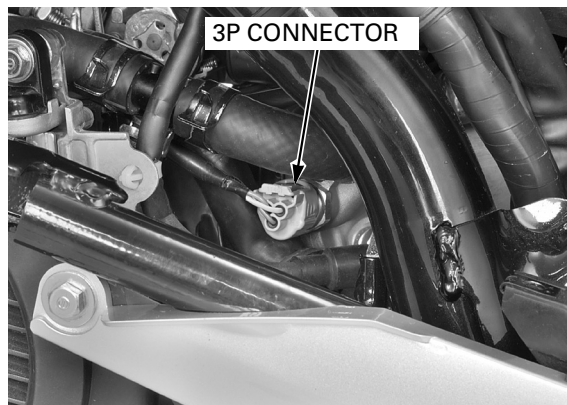


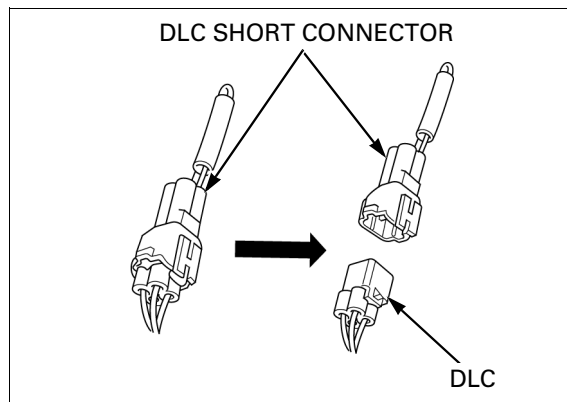
## FUEL SYSTEM (Programmed Fuel Injection)

9. Connect the ECT sensor 3P connector.

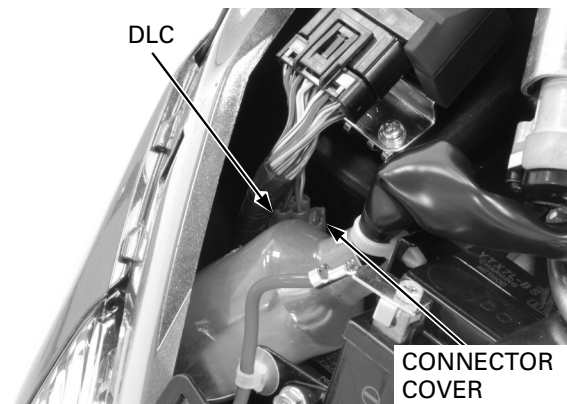


10. Disconnect the special tool from the DLC.

**TOOL:**  
**DLC short connector**                      **070PZ-ZY30100**



11. Install the DLC to the connector cover.



12. Support the scooter with its centerstand.

Warm up the engine about ten minutes.

Connect the tachometer and check the idle speed.

**ENGINE IDLE SPEED:  $1,700 \pm 100 \text{ min}^{-1}$  (rpm)**

If the idle speed is out of the specification, check the following:

- Throttle operation and throttle grip freeplay (page 4-5).
- Intake air leak.
- IACV operation (page 6-56).

