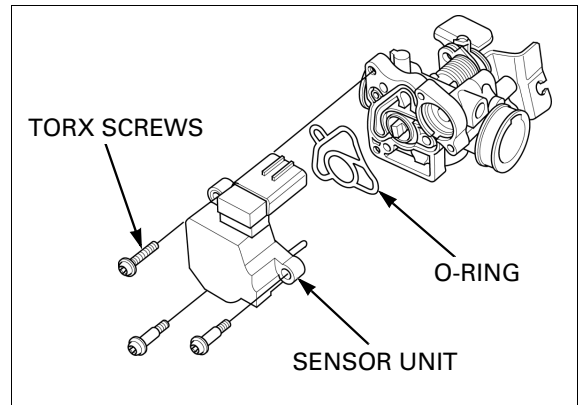


## FUEL SYSTEM (Programmed Fuel Injection)

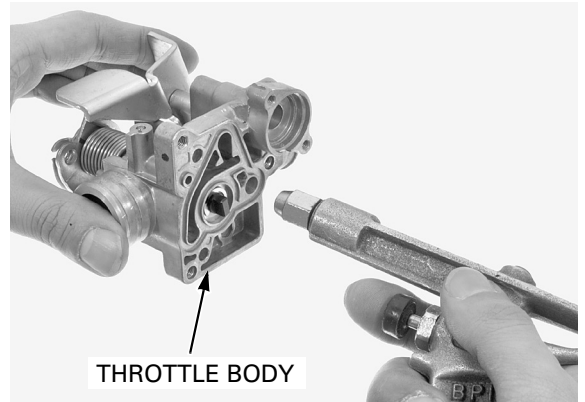
Remove the following:

- Torx screws
- Sensor unit
- O-ring



Blow open each air passage in the throttle body with the compressed air.

- Do not use high pressure air or bring the nozzle too close to the throttle body.



### ASSEMBLY

