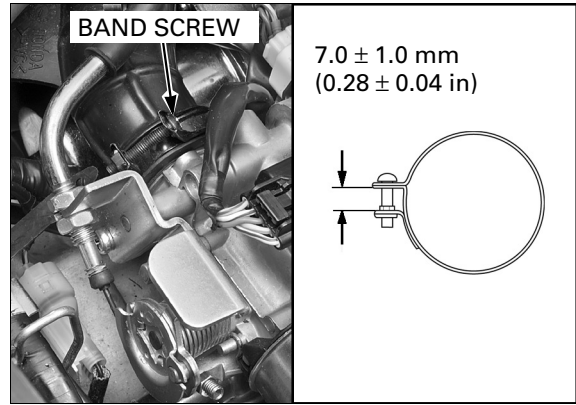


FUEL SYSTEM (Programmed Fuel Injection)

Tighten the connecting hose band screw until the clearance between the screw and band end is 7.0 ± 1.0 mm (0.28 ± 0.04 in).

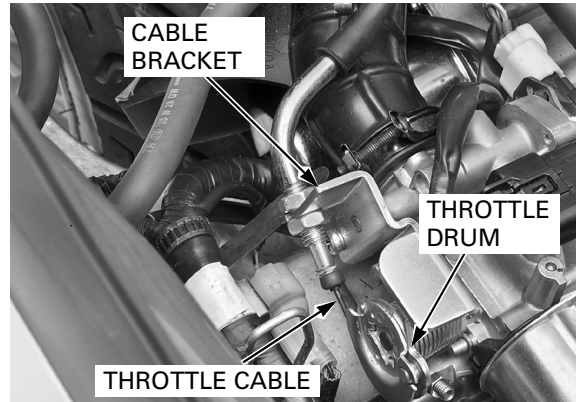


Be careful not to damage the threads of throttle cable.

Connect the throttle cable to the throttle drum and set the throttle cable onto the cable bracket, then adjust the throttle grip freeplay (page 4-5).

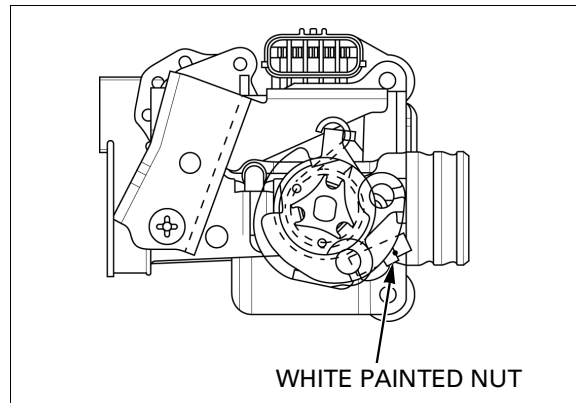
Install the luggage box (page 3-8).

If the sensor unit has been removed, perform the TP sensor reset procedure (page 6-45).



DISASSEMBLY

- The throttle body is factory pre-set. Do not disassemble in a way other than shown in this manual.
- Do not snap the throttle valve from full open to full close after the throttle cable has been removed. It may cause incorrect idle operation.
- Do not damage the throttle body. It may cause incorrect throttle valve operation.
- Do not loosen or tighten the white painted nut of the throttle drum. Loosening or tightening it can cause throttle body malfunction.



Remove the following:

- Torx screws
- Set plate
- IACV

