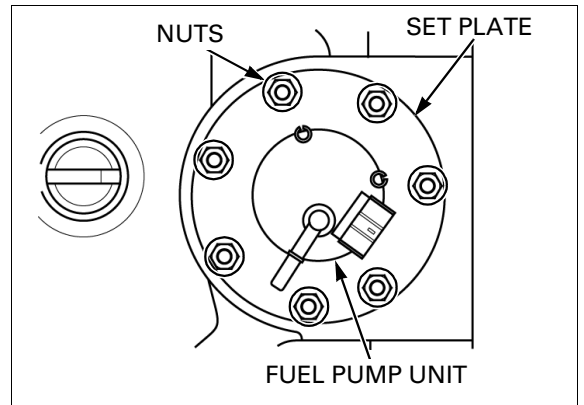


## FUEL SYSTEM (Programmed Fuel Injection)

Remove the fuel pump mounting nuts.

*Be careful not to damage the fuel level sensor float arm and pipe.*

Remove the set plate and fuel pump unit from the fuel tank.



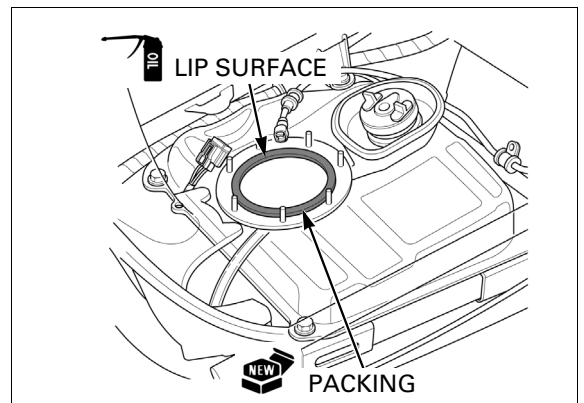
Remove the packing from the fuel pump unit.



### INSTALLATION

*Always replace packing with a new one.*

Place a new packing onto the fuel tank and apply more than 1.0 g of engine oil to lip surface of the packing.



Install the set plate by aligning its holes with the tabs on the fuel pump unit.

- Be careful not to damage the pipe end when installing the set plate.

