

CLUTCH SHOES WEAR

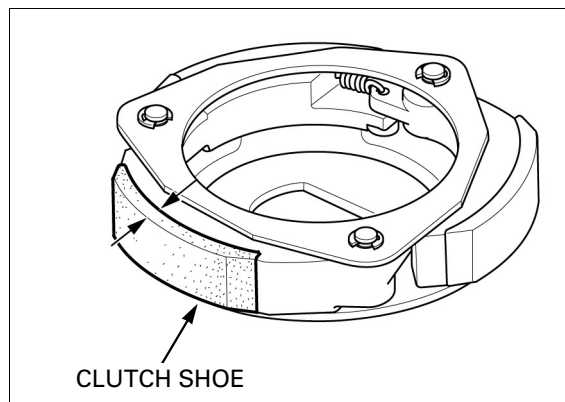
Remove the clutch assembly (page 11-13).

Check the clutch shoes for wear or damage.
Measure the thickness of each shoe.

SERVICE LIMIT: 2.0 mm (0.08 in)

Replace the clutch shoes if it is below service limit (page 11-14).

Install the removed parts in the reverse order of removal.



SUSPENSION

FRONT

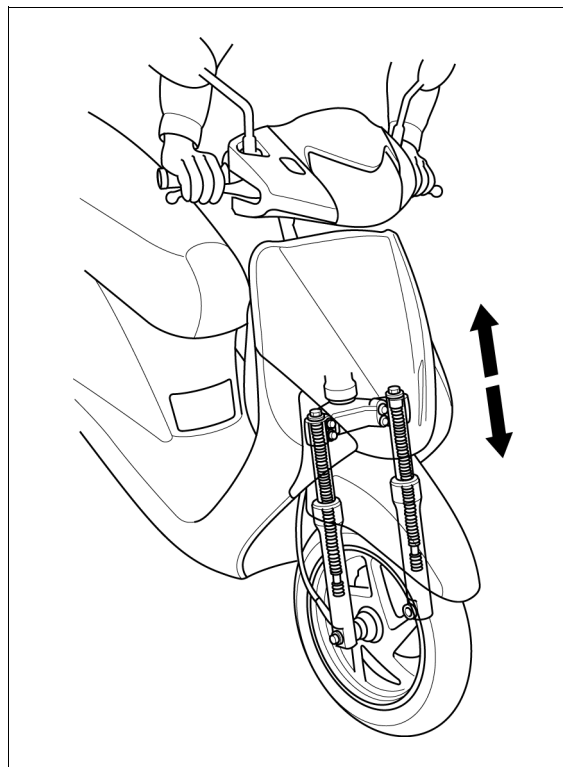
Check the action of the forks by operating the front brake and compressing the front suspension several times.

Check the entire assembly for signs of leaks, damage or loose fasteners.

Replace damaged components which cannot be repaired.

Tighten all nuts and bolts.

Refer to fork service (page 15-12).



REAR

Check the action of the rear shock absorber by compressing it several times.

Check the entire shock absorber assembly for signs of leaks, damage or loose fasteners.

Replace damaged components which cannot be repaired.

Tighten all nuts and bolts.

Refer to shock absorber service (page 16-5).

