

Remove the air cleaner holder from the air cleaner housing cover.

Remove the screws and air cleaner element.

Replace the element in accordance with the maintenance schedule (page 4-4) or any time it is excessively dirty or damaged.

Clean the inside of the air cleaner housing and cover.

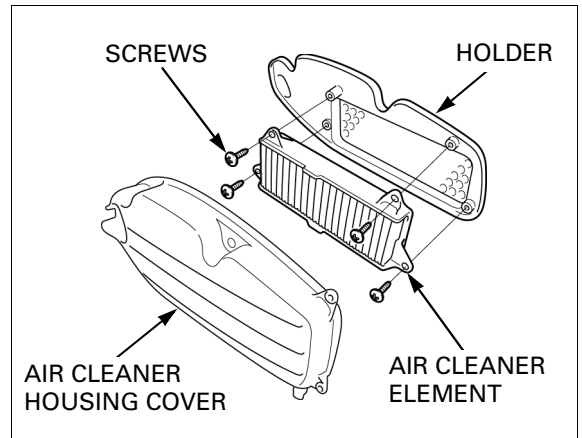
Make sure the rubber seals in the housing and cover are in position and in good condition.

Install a new element to the holder, and tighten the screws.

TORQUE: 1.1 N·m (0.11 kgf·m, 0.8 lbf·ft)

Install the cover, and tighten the screws.

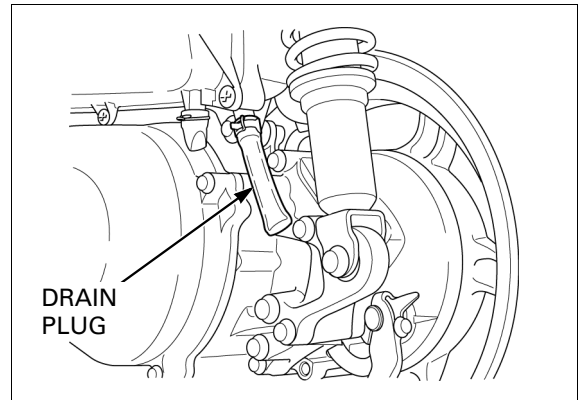
TORQUE: 1.1 N·m (0.11 kgf·m, 0.8 lbf·ft)



CRANKCASE BREATHER

- Service more frequently when ridden in rain, at full throttle, or after the scooter is washed or overturned. Service if the deposit level can be seen in the transparent section of the drain hose.

Remove the crankcase breather drain plug and drain deposits into a suitable container, then install it securely.



Remove the luggage box (page 3-8).

Check the following crankcase breather hoses for deterioration, damage or leakage.

- Hose between the cylinder head and air cleaner
- Hose between the PCV solenoid valve and air cleaner
- Hose between the PCV solenoid valve and PCV check valve

Also check the crankcase breather hose fittings for leakage.

Replace the crankcase breather hoses if necessary.

Install the removed parts in the reverse order of removal.

