

FLOOR PANEL

REMOVAL

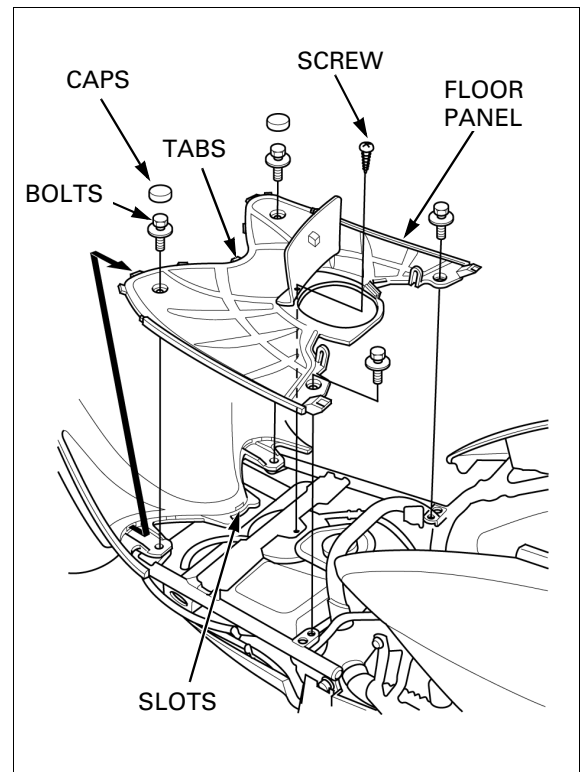
Remove the following:

- Floor panel side cover (page 3-5)
- Front body cover (page 3-9)

Remove the two caps.

Remove the four bolts and screw.

Remove the floor panel by pulling it backward and releasing the tabs from the inner cover slots.



INSTALLATION

Install the floor panel by aligning tabs and inner cover slots.

- Align the tabs and slots by pushing the front inner cover from inner side.

Install the four bolts and screw.

TORQUE: Floor panel mounting bolt
7 N·m (0.71 kgf·m, 5.2 lbf·ft)

Install the two caps.

Install the following:

- Front body cover (page 3-9)
- Floor panel side cover (page 3-5)

