

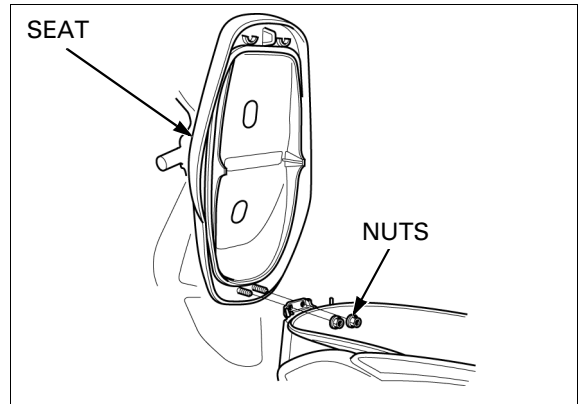
**SEAT**

**REMOVAL/INSTALLATION**

Unlock the seat with ignition key.  
Open the seat.

Hold the seat and remove the two nuts.  
Remove the seat.

Installation is in the reverse order of removal.



**GRAB RAIL/CARRIER**

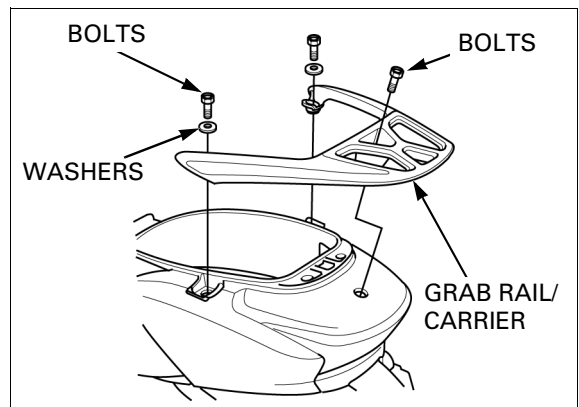
**REMOVAL/INSTALLATION**

Unlock the seat with ignition key.  
Open the seat.

Remove the two bolts and washers from the front side.

Remove the bolt from the rear side and grab rail/cARRIER.

Installation is in the reverse order of removal.



**LUGGAGE BOX**

**REMOVAL/INSTALLATION**

Remove the grab rail/cARRIER (page 3-8).

Remove the two caps and two bolts/washers.

Remove the two bolts and luggage box.

Installation is in the reverse order of removal.

