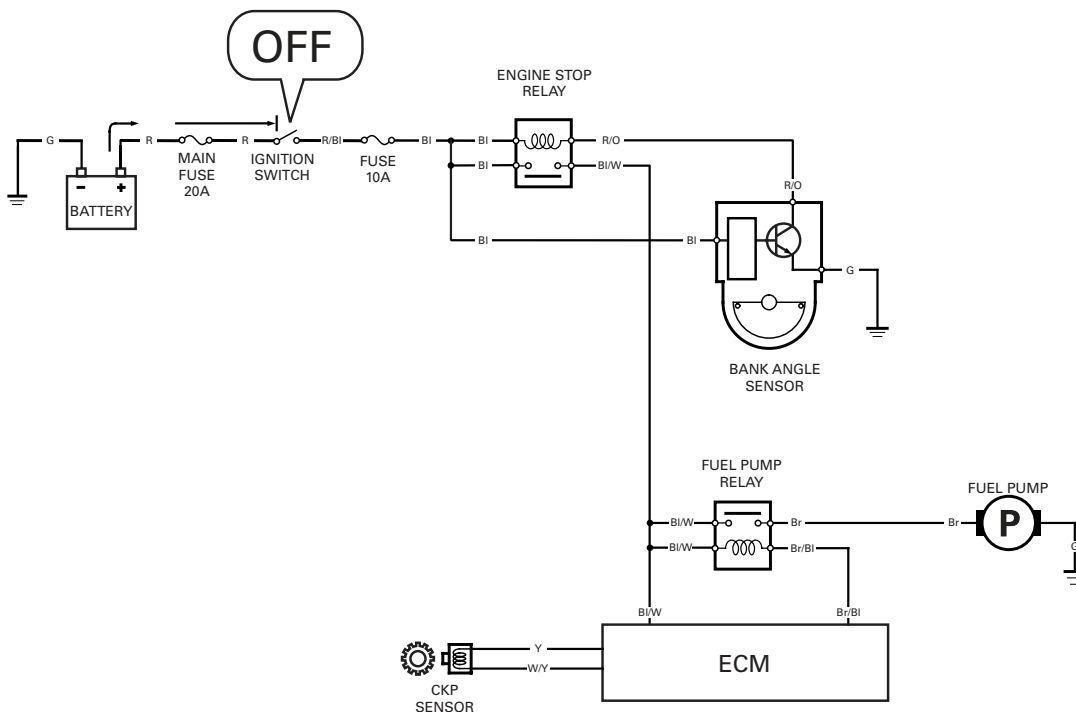


<WHEN IGNITION SWITCH IS TURNED OFF>

When ignition switch is turned OFF, fuel pump operation stops as the power supply to ECM and fuel pump relay is cut off.



<WHEN VEHICLE IS OVERTURNED (BANK ANGLE SENSOR IS TURNED OFF)>

1. When the vehicle is overturned and bank angle sensor detects it, engine stop relay turns OFF.
2. When engine stop relay is OFF, fuel pump operation stops as the power supply to ECM and fuel pump relay is cut off.

