

## REAR WHEEL/SUSPENSION

Remove the right pivot bearings (radial ball bearings) from the swingarm pivot using the special tools.

### TOOLS:

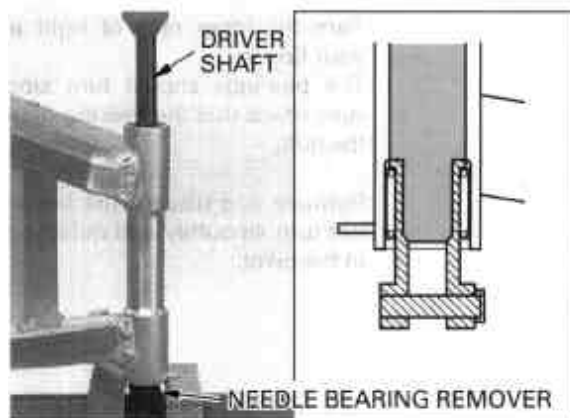
<b>Bearing remover set</b>	07936-3710001
— Remover handle	07936-3710100
— Remover set	07936-3710600
— Sliding weight	07741-0010201 or 07936-3710200



Press the left pivot bearing (needle bearing) out of the swingarm pivot using the special tools.

### TOOLS:

<b>Needle bearing remover</b>	07HMC-MR70100
<b>Driver shaft</b>	07946-MJ00100



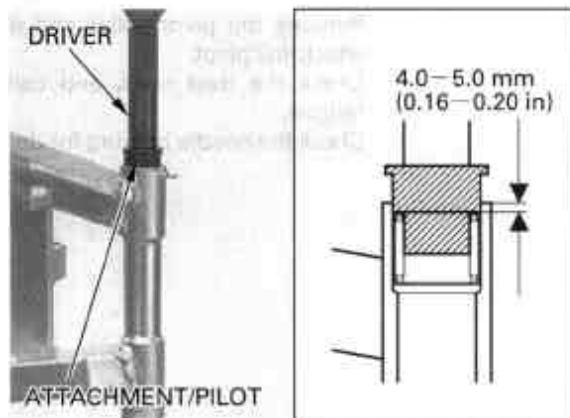
Press a new left pivot bearing (needle bearing) into the swingarm pivot so that the needle bearing surface is lower 4.0 mm (0.16 in) from the end of the swingarm pivot surface using the special tools.

### NOTE:

Press the needle bearing into the swingarm with the marked side facing out.

### TOOLS:

<b>Driver</b>	07749-0010000
<b>Attachment, 37 × 40 mm</b>	07746-0010200
<b>Pilot, 28 mm</b>	07746-0041100



Press new right pivot bearings (radial ball bearing) into the swingarm pivot one at a time using the special tools.

### TOOLS:

<b>Driver</b>	07749-0010000
<b>Attachment, 37 × 40 mm</b>	07746-0010200
<b>Pilot, 20 mm</b>	07746-0040500

