

## BEARING REPLACEMENT

### NOTE:

Do not try to remove the countershaft bearing from the shaft. If the bearing is worn or damaged, replace the countershaft as an assembly.

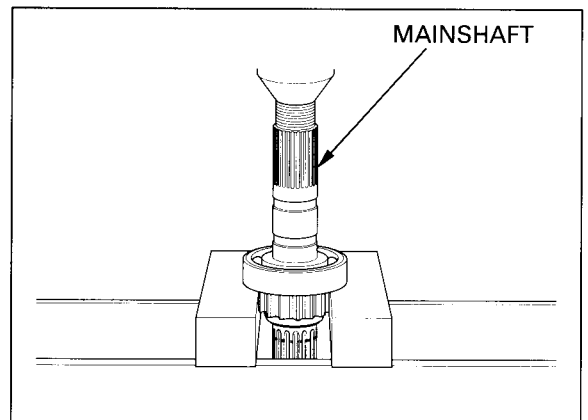
Turn the outer race of each bearing with your finger. The bearings should turn smoothly and quietly. Also check that the bearing inner race fits tightly on the shaft.

Remove and discard the mainshaft bearing, if the race does not turn smoothly, quietly, or fits loosely on the mainshaft.

Replace the countershaft, collar, and bearing as an assembly, if the race does not turn smoothly, quietly, or fits loosely on the countershaft.



Press out the mainshaft from the bearing using a hydraulic press.



Install a new mainshaft bearing onto the mainshaft by pressing the mainshaft bearing inner race using the special tool.

### TOOLS:

**Driver, 40 mm I.D.**

07746-0030100

**Attachment, 30 mm**

07746-0030300

