

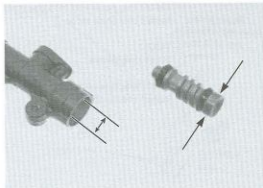
INSPECTION

Check the piston boot, primary cup and secondary cup for fatigue or damage.
Check the master cylinder and piston for abnormal scratches.
Measure the master cylinder I.D.

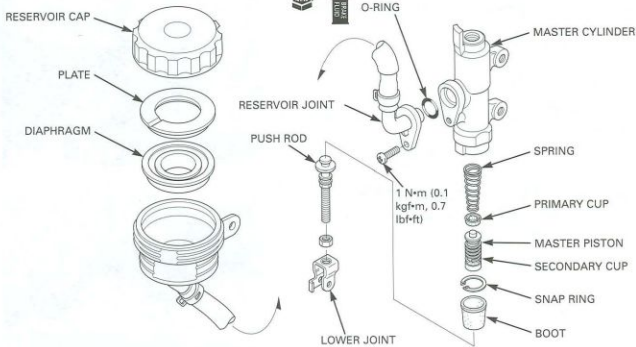
Measure the master cylinder piston O.D.

SERVICE LIMIT: 12.755 mm (0.5022 in)

SERVICE LIMIT: 12.645 mm (0.4978 in)



ASSEMBLY



Keep the piston, cups, spring, snap ring and boot as a set; do not substitute individual parts.

When installing the cups, do not allow the lips to turn inside out.

Coat all parts with clean brake fluid before assembly.

Dip the piston in brake fluid.
Install the spring to the primary cup.
Install the spring/primary cup and master piston assembly.
Apply silicone grease to the piston contact area of the push rod.

