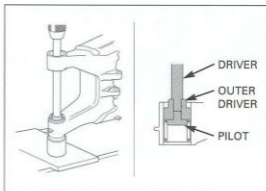


Press the left pivot needle bearing out using the special tools and a hydraulic press.

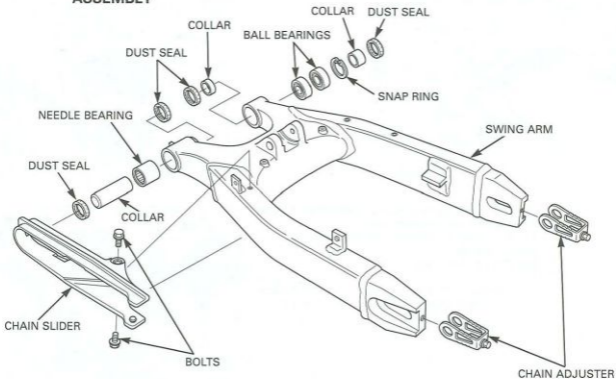
**TOOLS:**

Driver  
Attachment, 32 X 35 mm  
Pilot, 28 mm

07949-3710001  
07746-0010001  
07746-0041100



**ASSEMBLY**



*Press the needle bearing into the pivot with the marked side facing out.*

Pack the new needle bearing with grease.

Press the needle bearing into the swingarm left pivot until it seats using the special tools and a hydraulic press.

**TOOLS:**

Driver  
Attachment, 37 mm  
Pilot, 28 mm

07749-0010000  
07ZMD-MBW0200  
07746-0041100

