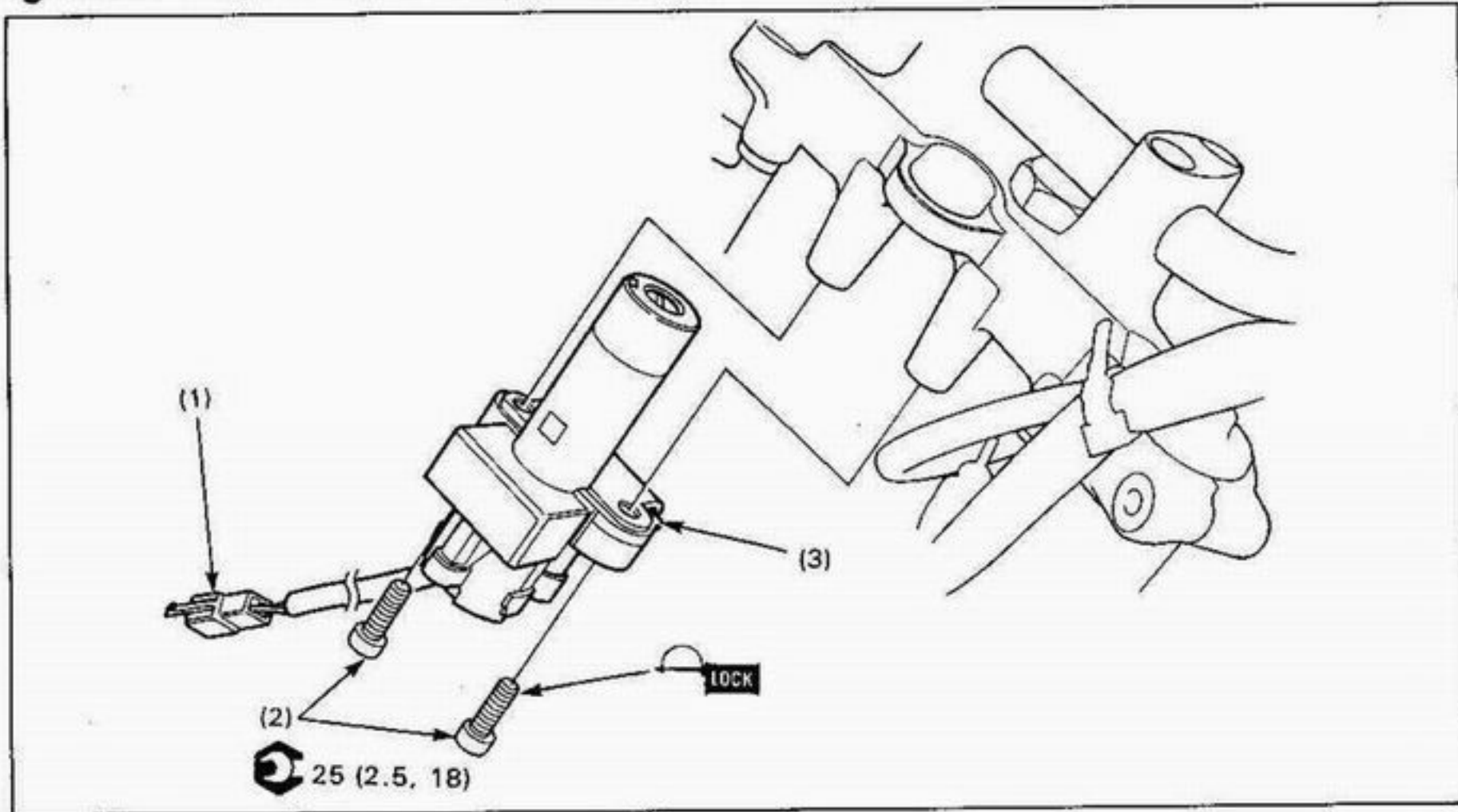


Ignition Switch Removal/Installation



Requisite Service

- Headlight removal/installation (page 16-3).
- Meter removal/installation (page 16-5)

Procedure	Qty	Remarks
Removal Order		Installation is in the reverse order of removal.
(1) Ignition switch connector	1	• At installation, apply a locking agent to the threads.
(2) Ignition switch mounting bolt	2	
(3) Ignition switch	1	