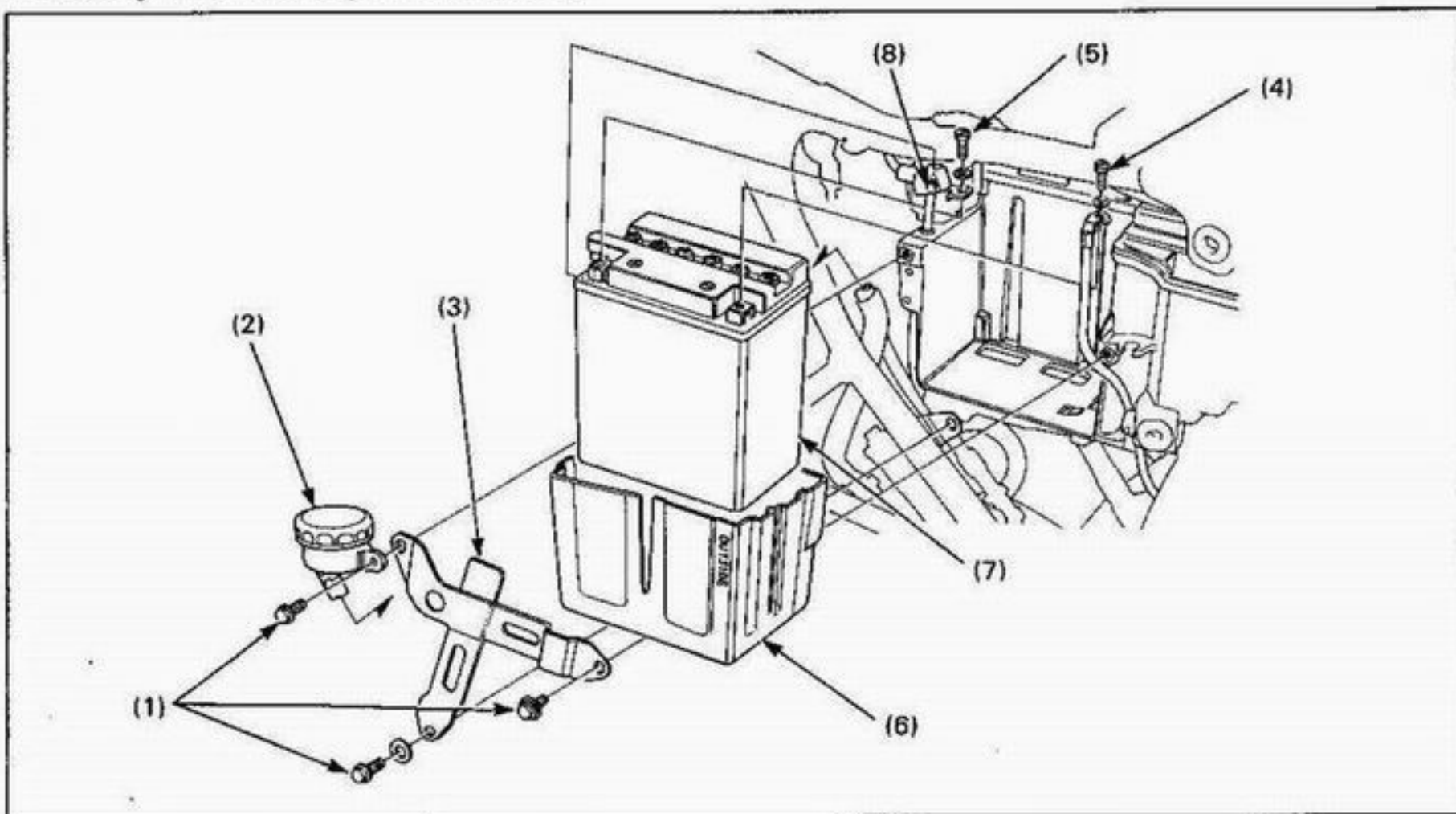


Battery Removal/Installation



NOTE

- With the ignition switch OFF, remove the negative terminal at the battery first, then remove the positive terminal.

Requisite Service

- Right side cover removal/installation (page 2-2)

Procedure		Q'ty	Remarks
Removal Order			Installation is in the reverse order of removal. With the "OUTSIDE" mark facing up.
(1)	Battery holder bolt	3	
(2)	Reservoir	1	
(3)	Battery holder	1	
(4)	Negative terminal	1	
(5)	Positive terminal	1	
(6)	Battery case	1	
(7)	Battery	1	
(8)	Breather tube	1	