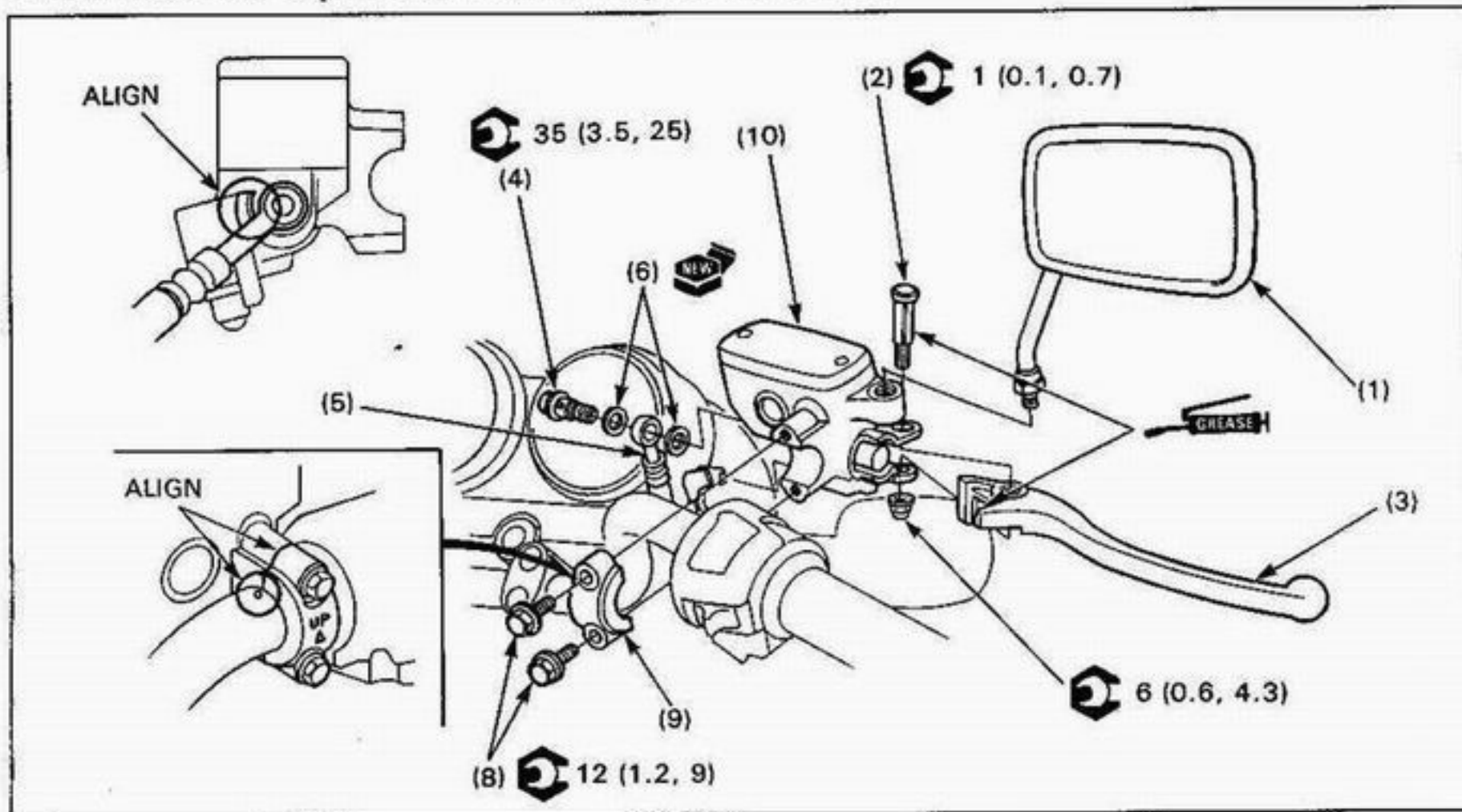


Front Master Cylinder Removal/Installation



CAUTION

• Spilled brake fluid will damage painted, plastic or rubber parts. Cover these parts when servicing the brake system.

Requisite Service

- Brake fluid replacement/air bleeding (section 17 of the Common Service Manual)

Procedure	Qty	Remarks
Removal Order		Installation is in the reverse order of removal.
(1) Right rearview mirror	1	
(2) Brake lever pivot bolt	1	
(3) Brake lever	1	
(4) Brake hose bolt	1	
(5) Brake hose	1	At installation, press the hose end against the stopper while tightening the hose bolt.
(6) Sealing washer	2	
(7) Front brake light switch connector	2	
(8) Master cylinder holder bolt	2	Tighten the upper bolt first, then the lower bolt.
(9) Master cylinder holder	1	Face the "UP" mark upward.
(10) Master cylinder assembly	1	Align the holder end with the punch mark on the handlebar.